

Tekniska data för bromsskivan

Axel Fram

Diameter
276 mm

Total höjd (A)
49,2 mm

Centreringsdiameter (B)
55 mm

Antal hål (C)
5

Tjocklek (TH)
25 mm

Min. tjocklek
23 mm

Åtdragningsmoment 
103 Nm

Enhet per låda
2

EAN-kod
8020584979013

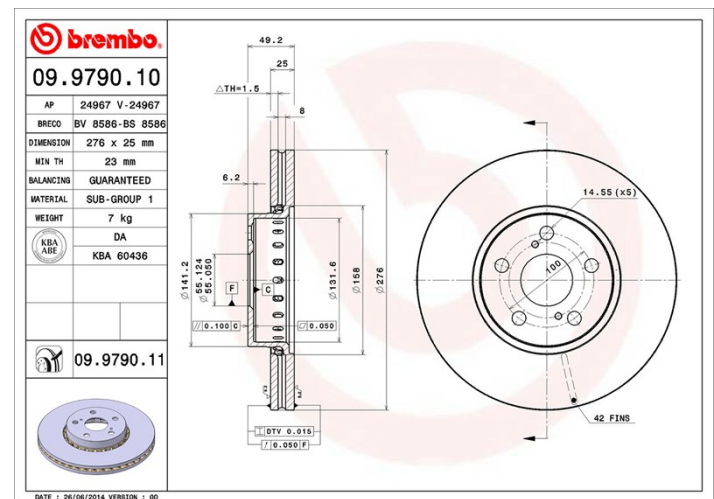


Märkeskoder

Brembo
09.9790.10

AP
24967

Breco
BS 8586



Tekniska specifikationer

Kompatibla fordon

TOYOTA

Modell	Typ	kW	År
AVENSIS (T22_)	1.6 VVT-i (ZZT220_)	81	10/00 02/03
AVENSIS (T22_)	1.8 VVT-i (ZZT221_)	95	10/00 02/03
AVENSIS (T22_)	2.0 D-4D (CDT220_)	81	10/99 02/03
AVENSIS (T22_)	2.0 TD (CT220_)	66	09/97 02/03
AVENSIS (T22_)	2.0 VVT-i (AZT220_)	110	10/00 02/03
AVENSIS Estate (T22_)	1.6 (ZZT220_)	81	07/00 02/03
AVENSIS Estate (T22_)	1.8 (ZZT221_)	95	10/00 02/03
AVENSIS Estate (T22_)	2.0 (AZT220_)	110	10/00 02/03
AVENSIS Estate (T22_)	2.0 D (CDT220_)	85	09/02 02/03

AVENSIS Estate (_T22_)	2.0 D-4D (CDT220_)	81	10/99 02/03
AVENSIS Estate (_T22_)	2.0 TD (CT220_)	66	09/97 02/03
AVENSIS Liftback (_T22_)	1.6 (ZZT220_)	81	10/00 02/03
AVENSIS Liftback (_T22_)	1.8 (ZZT221_)	95	10/00 02/03
AVENSIS Liftback (_T22_)	2.0 (AZT220_)	110	10/00 02/03
AVENSIS Liftback (_T22_)	2.0 D (CDT220_)	85	09/02 02/03
AVENSIS Liftback (_T22_)	2.0 D-4D (CDT220_)	81	10/99 02/03
AVENSIS Liftback (_T22_)	2.0 TD (CT220_)	66	09/97 02/03

OE-nummer

Kompatibla OE-nummer

TOYOTA	4351205060
TOYOTA	4351220730