

Tekniska data för bromsskivan

Axel Fram	Diameter 296 mm
Total höjd (A) 49,3 mm	Centreringsdiameter (B) 62 mm
Antal hål (C) 5	Tjocklek (TH) 28 mm
Min. tjocklek 25 mm	Åtdragningsmoment  103 Nm
Enhet per låda 2	EAN-kod 8020584032541

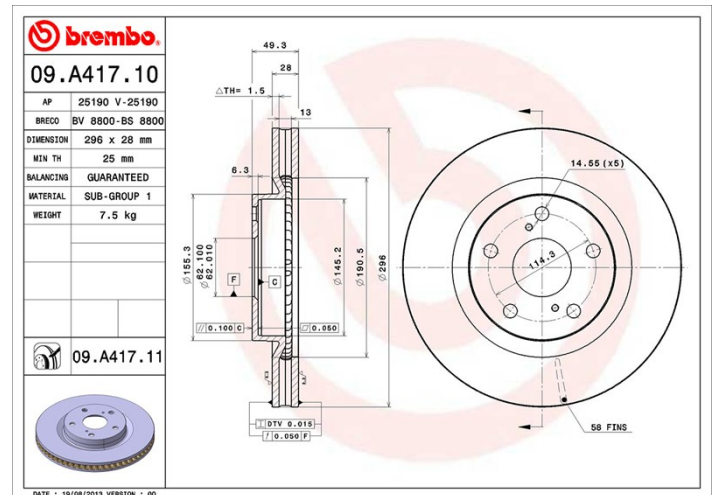


Märkeskoder

Brembo
09.A417.11

AP
25190 V

Breco
BV 8800



Tekniska specifikationer

UV-skiva

UV-beläggningstekniken som har utvecklats i samarbete med biltillverkare, garanterar en överlägsen beständighet mot korrosion och ett **komplett skydd** av bromsskivan.



Kompatibla fordon

EM GRAND

Modell	Typ	kW	År
EC8	2.0	100	08/10 12/12
EC8	2.0	104	08/10 12/17
EC8	2.4	115	08/10 -
EC8	2.4	119	10/10 -

ENGLON

Modell	Typ	kW	År
SX7	1.8	102	03/13 01/15

SX7	1.8	98	03/14 -
SX7	2.0	104	03/13 01/15
SX7	2.4	119	03/13 01/15
GLEAGLE			
Modell	Typ	kW	År
GX7	1.8	102	04/12 01/15
GX7	2.0	104	04/12 01/15
GX7	2.4	119	04/12 01/15
LEXUS			
Modell	Typ	kW	År
ES (_V4_)	240 (ACV40_)	123	08/09 06/12
ES (_V4_)	3.5 (GSV40_)	204	05/06 06/12
ES (_V6_)	200 (ASV61_)	110	08/15 06/18
ES (_V6_)	200 (ASV61_)	123	08/15 06/18
ES (_V6_)	250 (AV60_)	133	06/12 06/18
ES (_V6_)	250 (AVV60_, ASV60_)	135	06/12 06/18
ES (_V6_)	300h (ASV60_, AVV60_)	118	06/12 06/18
ES (_V6_)	350 (GSV60_)	183	06/12 06/18
ES (_V6_)	350 (GSV60_)	204	06/12 06/18
ES (_V6_)	350 4WD (GSV60_)	204	06/12 06/18
TOYOTA			
Modell	Typ	kW	År
AURIS (_E15_)	1.8 Hybrid (ZWE150_)	73	09/10 09/12
AURIS (_E18_)	1.8 Hybrid (ZWE186_)	73	10/12 12/18
AURIS Estate (_E18_)	1.8 Hybrid (ZWE186_)	73	07/13 12/18
CAMRY Saloon (_V4_)	2.0 (ACV41_)	108	01/06 09/11
CAMRY Saloon (_V4_)	2.4 (ACV40)	116	01/06 09/11
CAMRY Saloon (_V4_)	2.4 (ACV40_)	127	01/06 09/11
CAMRY Saloon (_V4_)	2.4 (ACV40_)	123	01/06 09/11
CAMRY Saloon (_V4_)	2.4 Hybrid (AHV40_)	105	01/06 07/11
CAMRY Saloon (_V4_)	2.4 Hybrid (AHV40_)	110	01/06 09/11
CAMRY Saloon (_V4_)	2.5 (ASV40_)	129	01/10 09/11

CAMRY Saloon (_V4_)	3.5 (GSV40_)	204	09/06 12/14
MIRAI (JPD1_)	FCV (JPD10_)	113	10/14 -
PRIUS PLUS (_W4_)	1.8 Hybrid (ZVW40W, ZVW41W)	73	05/11 -
RAV 4 III (_A3_)	2.0 (ZSA35)	109	03/09 06/13
RAV 4 III (_A3_)	2.0 (ZSA35_)	116	12/08 06/13
RAV 4 III (_A3_)	2.0 4WD (ACA30_)	112	02/06 06/13
RAV 4 III (_A3_)	2.0 4WD (ZSA30)	109	03/09 06/13
RAV 4 III (_A3_)	2.0 4WD (ZSA30_)	116	12/08 06/13
RAV 4 III (_A3_)	2.2 D (ALA35_)	110	12/08 06/13
RAV 4 III (_A3_)	2.2 D 4WD (ALA30_)	130	02/06 06/13
RAV 4 III (_A3_)	2.2 D 4WD (ALA30_)	100	02/06 12/12
RAV 4 III (_A3_)	2.2 D 4WD (ALA30_)	110	12/08 06/13
RAV 4 III (_A3_)	2.4 (ACA33, ACA36, ACA38)	125	11/05 12/13
RAV 4 III (_A3_)	2.4 4WD (ACA31, ACA33)	125	11/05 06/13
RAV 4 III (_A3_)	3.5 4WD (GSA33)	201	11/05 12/12
RAV 4 IV (_A4_)	2.0 (ZSA42)	107	12/12 -
RAV 4 IV (_A4_)	2.0 4WD (ZSA44_)	112	04/15 -
RAV 4 IV (_A4_)	2.0 4WD (ZSA44_)	111	12/12 -
RAV 4 IV (_A4_)	2.0 D (ALA40_)	91	12/12 -
RAV 4 IV (_A4_)	2.0 D (VWA42_)	105	10/15 -
RAV 4 IV (_A4_)	2.0 D 4WD (ALA41_)	91	01/13 -
RAV 4 IV (_A4_)	2.2 D 4WD (ALA49)	110	12/12 -
RAV 4 IV (_A4_)	2.5 (ASA42)	132	12/12 -
RAV 4 IV (_A4_)	2.5 4WD (ASA44)	132	12/12 -
RAV 4 IV (_A4_)	2.5 Hybrid (AVA42_, AVA44_)	114	10/15 -
RAV 4 IV (_A4_)	2.5 Hybrid 4WD (AVA44_)	114	10/15 -
TOYOTA (FAW)			
Modell	Typ	kW	År
RAV4 (A40)	2.0 (ZSA42, ZSA44)	111	07/16 -
RAV4 (A40)	2.0 (ZSA42, ZSA44)	108	08/13 -
RAV4 (A40)	2.0 4x4 (ZSA42, ZSA44)	111	07/16 -
RAV4 (A40)	2.0 4x4 (ZSA42, ZSA44)	108	08/13 -

RAV4 (A40)	2.5 4x4 (ASA44)	132	08/13 -
RAV4 Closed Off-Road Vehicle (A30)	2.0 (ACA32, ACA37)	110	04/09 08/13
RAV4 Closed Off-Road Vehicle (A30)	2.0 4x4 (ACA32, ACA37)	110	04/09 08/13
RAV4 Closed Off-Road Vehicle (A30)	2.4 4x4 (ACA33)	125	04/09 08/13
REIZ (X120)	2.5 (GRX122)	145	10/05 09/10
REIZ (X120)	3.0 (GRX121)	170	10/05 09/10
REIZ (X130)	2.5 (GRX132)	142	09/10 -
REIZ (X130)	3.0 (GRX131)	167	09/10 12/17

TOYOTA (GAC)

Modell	Typ	kW	År
CAMRY (_V4_)	200 (ACV41)	108	06/06 12/15
CAMRY (_V4_)	240 (ACV40)	123	06/06 12/11
CAMRY (_V4_)	240 H (AHV41)	110	04/10 12/11

OE-nummer

Kompatibla OE-nummer

TOYOTA	4351202250
TOYOTA	4351206090
TOYOTA	4351206140
TOYOTA	4351233130
TOYOTA	4351233140
TOYOTA	4351242050
TOYOTA	4351242090
TOYOTA	4351242100