

## Tekniska data för bromsskivan

<b>Axel</b> Fram	<b>Diameter</b> 295 mm
<b>Total höjd (A)</b> 49,3 mm	<b>Centreringsdiameter (B)</b> 62 mm
<b>Antal hål (C)</b> 5	<b>Tjocklek (TH)</b> 26 mm
<b>Min. tjocklek</b> 23 mm	<b>Åtdragningsmoment</b> 103 Nm
<b>Enhet per låda</b> 2	<b>EAN-kod</b> 8020584028919

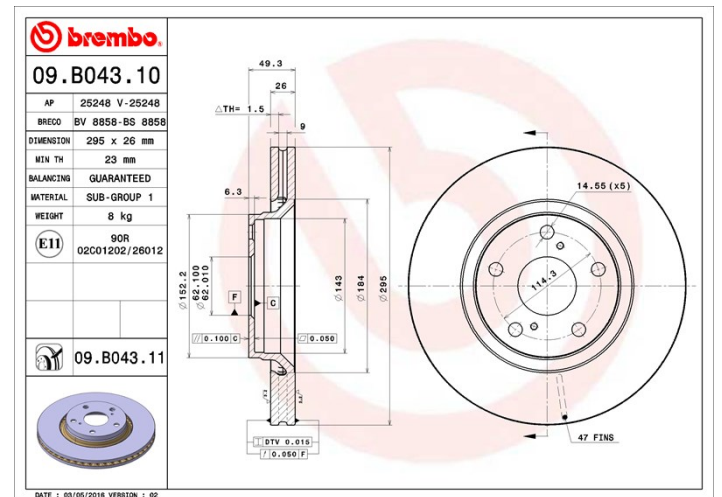


## Märkeskoder

**Brembo**  
09.B043.10

**AP**  
25248

**Breco**  
BS 8858



## Tekniska specifikationer

## Kompatibla fordon

### TOYOTA

Modell	Typ	kW	År
AURIS (_E18_)	2.0 D-4D (ADE186_)	91	10/12 04/15
AURIS Estate (_E18_)	2.0 D-4D (ADE186_)	91	07/13 04/15
AVENSIS Estate (_T27_)	1.6 (ZRT270_)	97	02/09 -
AVENSIS Estate (_T27_)	1.6 D4-D (WWT270_)	82	04/15 -
AVENSIS Estate (_T27_)	1.8 (ZRT271_)	108	02/09 -
AVENSIS Estate (_T27_)	2.0 (ZRT272_)	112	02/09 -
AVENSIS Estate (_T27_)	2.0 D-4D (ADT270_)	93	02/09 -
AVENSIS Estate (_T27_)	2.0 D-4D (ADT270_)	91	11/11 -
AVENSIS Saloon (_T27_)	1.6 (ZRT270_)	97	11/08 -

AVENSIS Saloon (_T27_)	1.6 D4-D (WWT270_)	82	04/15 -
AVENSIS Saloon (_T27_)	1.8 (ZRT271_)	108	11/08 -
AVENSIS Saloon (_T27_)	2.0 (AZT270_)	100	11/08 04/11
AVENSIS Saloon (_T27_)	2.0 (ZRT272_)	112	11/08 -
AVENSIS Saloon (_T27_)	2.0 D4D (ADT270_)	93	11/08 -
AVENSIS Saloon (_T27_)	2.0 D4D (ADT270_)	91	11/11 -
VERSO (_R2_)	1.6 (ZGR20_)	97	04/09 -
VERSO (_R2_)	1.6 D4-D (WAR20_)	82	11/13 -
VERSO (_R2_)	1.8 (ZGR21_)	108	04/09 -
VERSO (_R2_)	2.0 D4D (AUR20_)	93	04/09 -
VERSO (_R2_)	2.0 D4D (AUR20_)	91	11/12 -

## OE-nummer

### Kompatibla OE-nummer

TOYOTA

435120F030