

# Bromstrumma 14.4969.10



## Tekniska data för bromstrumman

**Axel** Bak

**Diameter** (Ø)  
200,00 mm

**Max. diameter** (Max. diameter)  
201,00 mm

**Max. diameter**  
201,00 mm

**Bredd**  
47,00 mm

**Centreringsdiameter** (B)  
54 mm

**Totalhöjd** (C)  
66,50 mm

**Antal hål** (D)  
5,00

**Lagersats**

**EAN-kod**  
8020584496916

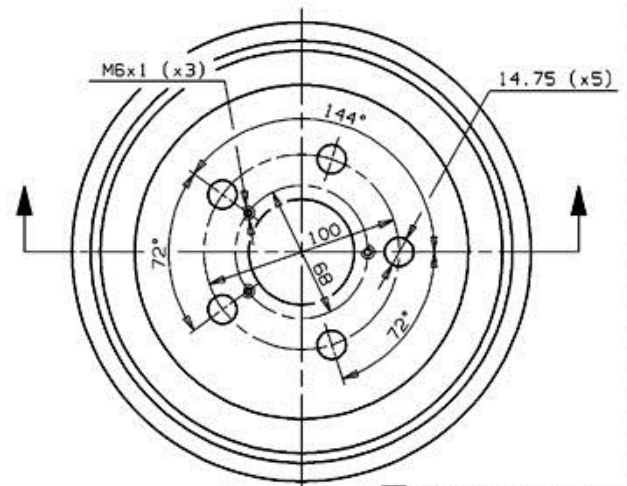
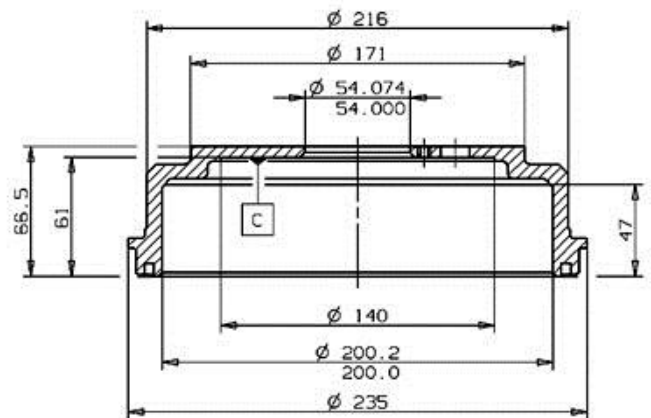


TOYOTA P.N.: 42431-32010

14.4969.10

CUSTOMER P.N.: .....

Date 03.03.97



☐ MOUNTING FACE  
Max. DIA. 201 mm  
Weight 4.3 Kg

## Kompatibla fordon

TOYOTA

Modell	Typ	kW	År
CAMRY Liftback (_V1_)	1.8 (SV10_)	66	02/83 10/86
CAMRY Liftback (_V1_)	1.8 Turbo-D (CV10_)	54	10/82 10/86

CAMRY Liftback (_V1_)	2.0 (SV11_)	78	01/83 10/86
CAMRY Saloon (_V1_)	1.8 (SV10_)	66	02/83 10/86
CAMRY Saloon (_V1_)	1.8 Turbo-D (CV10_)	54	10/82 10/86
CAMRY Saloon (_V1_)	2.0 (SV11_)	79	02/83 10/86
CAMRY Saloon (_V1_)	2.0 4WD	88	03/83 07/86
CAMRY Saloon (_V1_)	2.0 TD (CV11_)	62	02/83 10/86

## OE-nummer

### Kompatibla OE-nummer

TOYOTA 4243132010