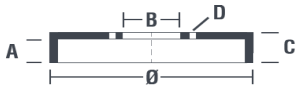
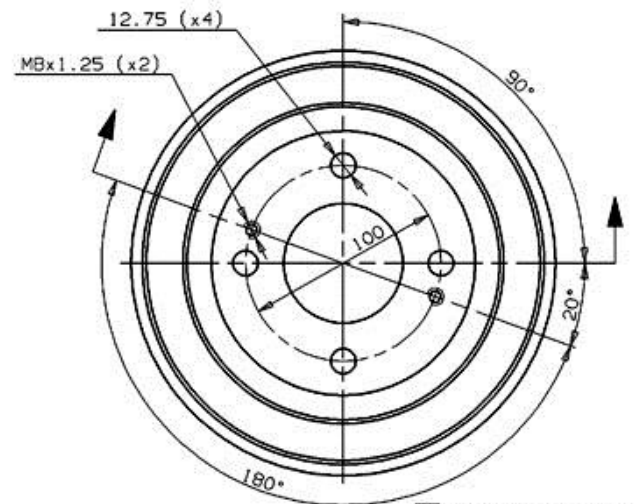
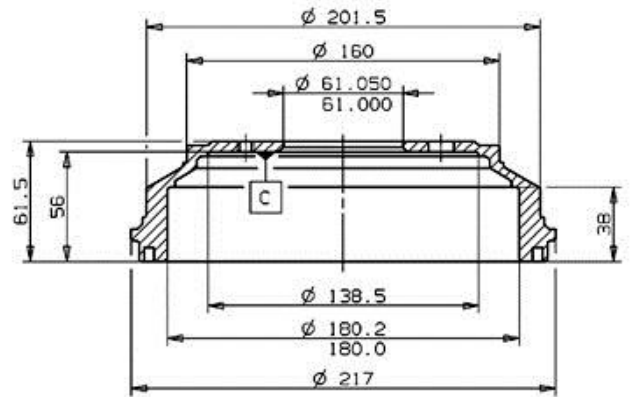


Tekniska data för bromstrumman

Axel Bak	Diameter (Ø) 180,00 mm
Max. diameter (Max. diameter) 181,00 mm	Max. diameter 181,00 mm
Bredd 38,00 mm	Centreringsdiameter (B) 61 mm
Totalhöjd (C) 61,50 mm	Antal hål (D) 4,00
Lagersats	EAN-kod 8020584506912



	HONDA P.N.: 42610-5B2-010	14.5069.10
	CUSTOMER P.N.:	Date 18.11.97



MOUNTING FACE
 Max. DIA. 181 mm
 Weight 3.2 Kg

Kompatibla fordon

HONDA				
Modell	Typ	kW	År	
CIVIC III Hatchback (AL, AJ, AG, AH)	1.2 (AL)	40	01/84 10/87	

CIVIC III Hatchback (AL, AJ, AG, AH)	1.3 (AG)	52	10/83 10/87
CIVIC III Hatchback (AL, AJ, AG, AH)	1.5 GL (AH)	63	10/83 10/87
CIVIC III Hatchback (AL, AJ, AG, AH)	1.5 GT (AH)	74	01/85 10/87
CIVIC III Hatchback (AL, AJ, AG, AH)	1.5 GTI (AH)	66	03/86 10/87
CIVIC III Saloon (AM, AK, AU)	1.2	40	01/85 10/87
CIVIC III Saloon (AM, AK, AU)	1.3	52	10/83 10/87
CIVIC III Saloon (AM, AK, AU)	1.5 GL	63	10/83 10/87
CIVIC III Saloon (AM, AK, AU)	1.5 GT	74	01/85 10/87
CIVIC III Saloon (AM, AK, AU)	1.5 GTI	66	03/86 10/87
CIVIC IV Hatchback (EC, ED, EE)	1.3 (EC8)	55	10/87 12/89
CIVIC IV Hatchback (EC, ED, EE)	1.3 16V Cat (EC8)	55	09/89 09/91
CIVIC IV Hatchback (EC, ED, EE)	1.4 L (EC9)	66	10/87 12/89
CIVIC IV Hatchback (EC, ED, EE)	1.5	60	01/88 12/89
CIVIC IV Hatchback (EC, ED, EE)	1.5 i 16V	66	10/88 09/91
CIVIC IV Hatchback (EC, ED, EE)	1.5 i 16V (ED6)	69	10/88 09/91
CIVIC IV Hatchback (EC, ED, EE)	1.6 i 16V (ED7)	80	10/87 09/91
CIVIC IV Hatchback (EC, ED, EE)	1.6 i 16V (ED7)	81	10/87 09/91
CIVIC IV Saloon (ED)	1.3	55	10/87 12/89
CIVIC IV Saloon (ED)	1.4 L (ED2)	66	10/87 12/89
CIVIC IV Saloon (ED)	1.5	60	01/88 12/89
CIVIC IV Saloon (ED)	1.5 i 16V	66	10/87 09/91
CIVIC IV Saloon (ED)	1.5 i 16V (ED3)	69	10/87 09/91
CIVIC IV Saloon (ED)	1.6 i 16V (ED4)	81	10/87 09/91
CIVIC IV Saloon (ED)	1.6 i 16V (ED4)	80	11/87 09/91
CIVIC V Hatchback (EG)	1.3 16V (EG3)	55	10/91 11/95
CIVIC V Hatchback (EG)	1.5 i 16V (EG4)	66	10/91 11/95
CIVIC V Hatchback (EG)	1.5 i 16V (EG4)	69	10/91 11/95
CIVIC V Saloon (EG, EH)	1.3	55	01/92 12/92
CRX I (AF, AS)	1.3	52	10/83 10/87
CRX I (AF, AS)	1.5 i (AF)	74	10/83 11/86
CRX I (AF, AS)	1.6 i 16V (AS)	92	03/86 10/87
CRX II (ED, EE)	1.6 i 16V (ED9)	91	10/87 02/92
CRX II (ED, EE)	1.6 i 16V (ED9)	96	10/87 12/89

Modell	Typ	kW	År
200 Saloon (XH)	213 S	54	09/85 09/89
200 Saloon (XH)	216	61	03/85 09/89
200 Saloon (XH)	216 Vitesse	75	09/84 09/89

OE-nummer

Kompatibla OE-nummer	
HONDA	42610SB2010
HONDA	42610SB2761
ROVER	DBP3798
ROVER	GDB115