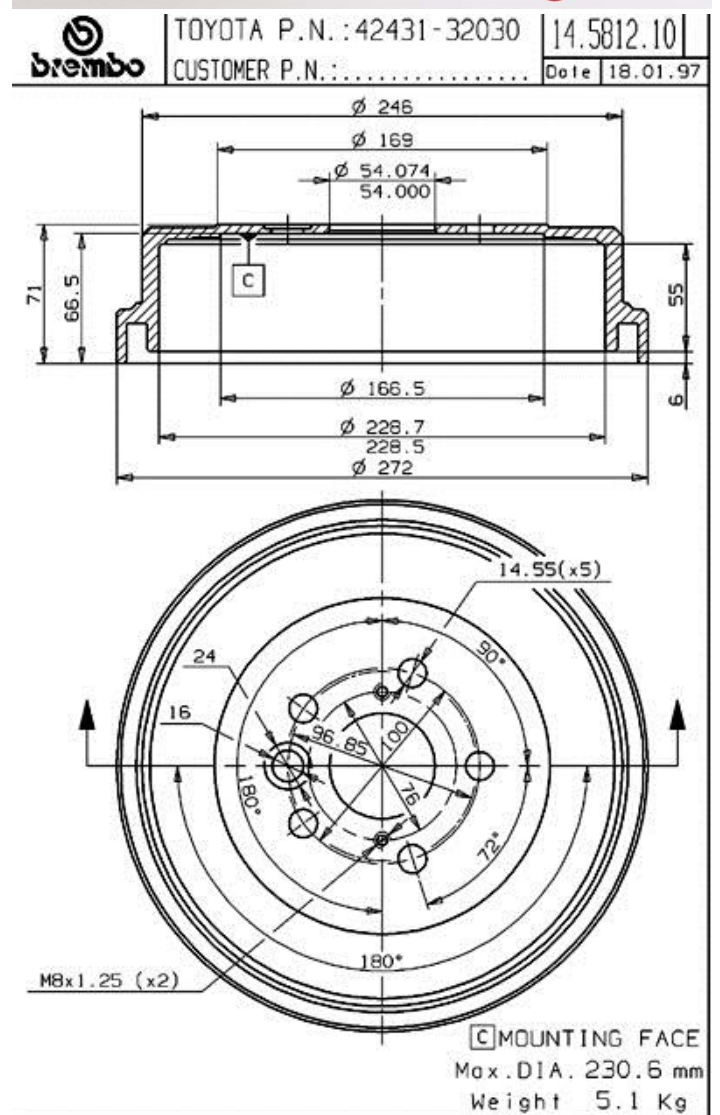
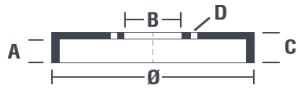


Bromstrumma 14.5812.10



Tekniska data för bromstrumman

Axel Bak	Diameter (∅) 228,00 mm
Max. diameter (Max. diameter) 230,60 mm	Max. diameter 230,60 mm
Bredd 61,00 mm	Centreringsdiameter (B) 54 mm
Totalhöjd (C) 71,00 mm	Antal hål (D) 5,00
Lagersats	EAN-kod 8020584581216



Kompatibla fordon

TOYOTA			
Modell	Typ	kW	År
CAMRY (_V2_)	1.8 (SV20_)	66	10/86 08/88
CAMRY (_V2_)	2.0 (SV21_)	94	11/86 05/91

CAMRY (_V2_)	2.0 (SV21_)	89	11/86 02/93
CAMRY (_V2_)	2.0 Turbo-D(CV20_)	63	10/86 05/91
CAMRY (_V2_)	2.0 Turbo-D(CV20_)	62	11/86 05/91
CAMRY (_V2_)	2.5 (VZV21_)	118	10/86 06/91
CAMRY Estate (_V2_)	1.8 (SV20_)	66	11/86 08/89
CAMRY Estate (_V2_)	2.0 (SV21_)	93	09/89 06/91
CAMRY Estate (_V2_)	2.0 (SV21_)	94	11/86 05/91
CAMRY Estate (_V2_)	2.0 (SV21_)	89	11/86 02/93
CAMRY Estate (_V2_)	2.0 4WD (SV25_)	94	08/88 05/91
CAMRY Estate (_V2_)	2.0 Turbo-D(CV20_)	62	11/86 05/91
CAMRY Estate (_V2_)	2.0 Turbo-D(CV20_)	63	11/88 05/91
CAMRY Estate (_V2_)	2.5 (VZV21_)	118	11/86 05/91
CAMRY Liftback (_V1_)	2.0 (SV11_)	73	01/83 12/86
CAMRY Saloon (_V1_)	2.0 (SV11_)	73	02/83 12/86

OE-nummer

Kompatibla OE-nummer

TOYOTA

4243132030