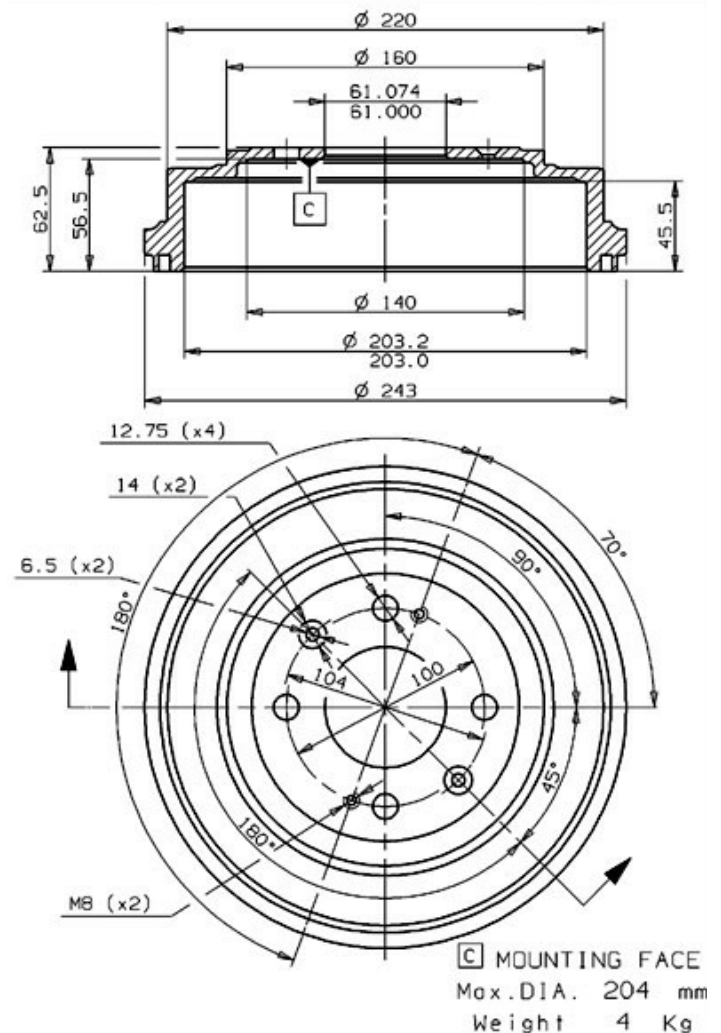
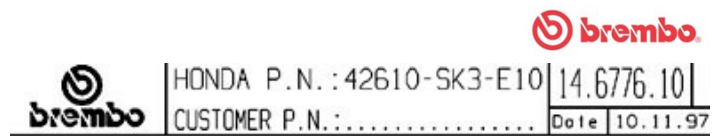
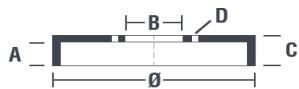


# Bromstrumma 14.6776.10



## Tekniska data för bromstrumman

<b>Axel Bak</b>	<b>Diameter</b> (∅) 203,00 mm
<b>Max. diameter</b> (Max. diameter) 204,00 mm	<b>Max. diameter</b> 204,00 mm
<b>Bredd</b> 45,50 mm	<b>Centreringsdiameter</b> (B) 61 mm
<b>Totalhöjd</b> (C) 62,50 mm	<b>Antal hål</b> (D) 4,00
<b>Lagersats</b>	<b>EAN-kod</b> 8020584677612



## Kompatibla fordon

HONDA			
Modell	Typ	kW	År
CIVIC VI Aerodeck (MB, MC)	1.4 16V (MB8)	55	04/98 02/01
CIVIC VI Aerodeck (MB, MC)	1.4 16V (MB8)	66	04/98 02/01

CIVIC VI Aerodeck (MB, MC)	1.5 16V (MB9)	84	04/98 02/01
CIVIC VI Aerodeck (MB, MC)	1.6 16V (MC1)	85	04/98 02/01
CIVIC VI Fastback (MA, MB)	1.4 i (MA8, MB2)	66	06/95 02/01
CIVIC VI Fastback (MA, MB)	1.4 i (MA8, MB2)	55	09/95 02/01
CIVIC VI Fastback (MA, MB)	1.5 16V (MB3)	84	01/97 02/01
CIVIC VI Fastback (MA, MB)	1.5 i Vtec-E (MA9)	66	09/94 01/97
CIVIC VI Fastback (MA, MB)	1.6 16V (MB4)	85	01/97 02/01
CIVIC VI Fastback (MA, MB)	1.6 i (MB1)	83	09/94 01/97
CONCERTO (HW, MA)	1.4	66	08/89 10/91
CONCERTO (HW, MA)	1.4	61	10/89 10/92
CONCERTO (HW, MA)	1.5 i 16V	66	08/89 03/95
CONCERTO (HW, MA)	1.6	96	10/89 10/92
CONCERTO (HW, MA)	1.6 16V	78	08/89 03/95
CONCERTO (HW, MA)	1.6 i 16V	82	08/89 03/95
CONCERTO (HW, MA)	1.6 i 16V	90	08/89 03/95
CONCERTO Saloon (HWW)	1.4	66	08/89 10/91
CONCERTO Saloon (HWW)	1.4	61	10/89 10/92
CONCERTO Saloon (HWW)	1.5 i 16V	66	08/89 05/95

## OE-nummer

### Kompatibla OE-nummer

HONDA

42610SK3E10