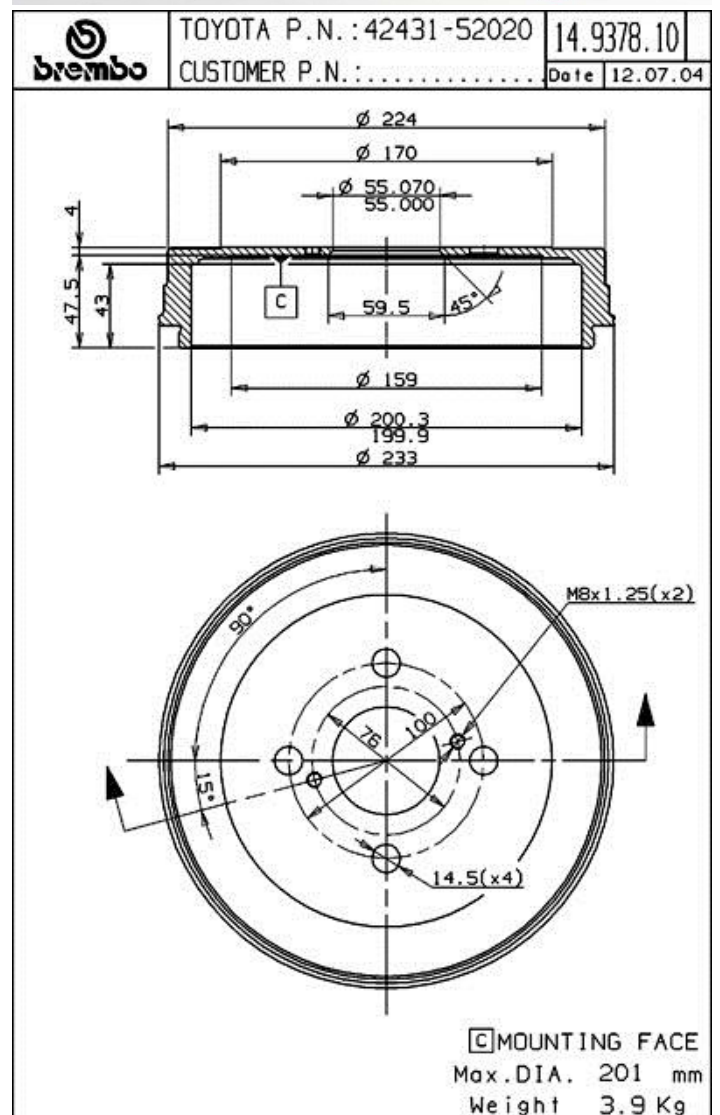
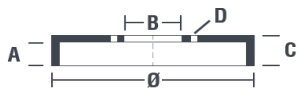


Bromstrumma 14.9378.10



Tekniska data för bromstrumman

Axel Bak	Diameter (∅) 200,00 mm
Max. diameter (Max. diameter) 201,00 mm	Max. diameter 201,00 mm
Bredd 43,00 mm	Centreringsdiameter (B) 55 mm
Totalhöjd (C) 51,50 mm	Antal hål (D) 4,00
Lagersats	EAN-kod 8020584937815



Kompatibla fordon

TOYOTA

Modell	Typ	kW	År
WILL CYPHA (NCP7_)	1.3 VTi	62	05/01 07/05
WILL CYPHA (NCP7_)	1.5 VTi 4WD	78	05/01 07/05

YARIS (_P1_)	1.0 (SCP10_)	48	03/03 09/05
YARIS (_P1_)	1.0 (SCP10_)	50	04/99 09/05
YARIS (_P1_)	1.3 (NCP10_, SCP12_)	63	11/99 10/05
YARIS (_P1_)	1.3 (SCP12_, NCP10_, SCP13_)	64	04/02 09/05
YARIS (_P1_)	1.4 D-4D (NLP10_)	55	10/01 09/05
YARIS VERSO (_P2_)	1.3 (NCP20_, NCP22_)	63	08/99 10/02
YARIS VERSO (_P2_)	1.3 (NCP20_, NCP22_)	62	11/02 09/05
YARIS VERSO (_P2_)	1.4 D-4D (NLP20_, NLP22_)	55	09/00 09/05
YARIS VERSO (_P2_)	1.5 (NCP21_)	77	03/00 09/05
YARIS VERSO (_P2_)	1.5 (NCP21_)	78	03/00 09/05
YARIS VERSO (_P2_)	1.5 4WD (NCP21_)	78	03/00 09/05

OE-nummer

Kompatibla OE-nummer

TOYOTA

4243152020