

Bromstrumma 14.A692.10



Tekniska data för bromstrumman

Axel Bak

Diameter (∅)
280,00 mm

Max. diameter (Max. diameter)
282,00 mm

Max. diameter
282,00 mm

Bredd
80,50 mm

Centreringsdiameter (B)
118 mm

Totalhöjd (C)
105,00 mm

Antal hål (D)
5,00

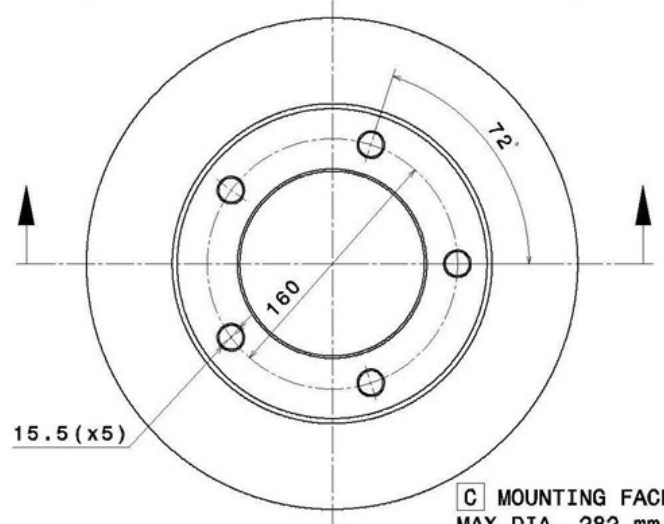
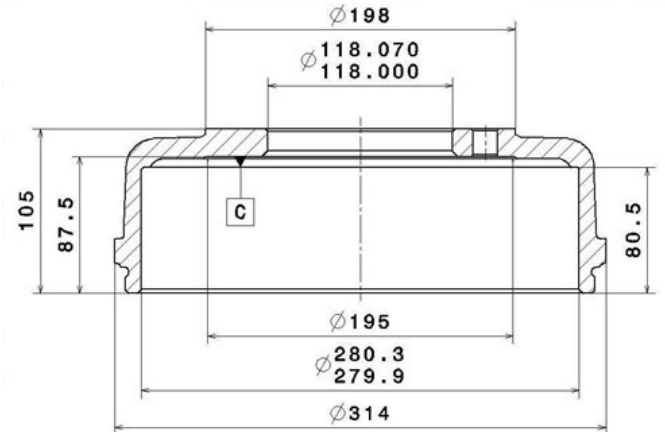
Lagersats

EAN-kod
8020584017142



FORD P.N.: 4 078 769 / 4 446 218 /
YC1W1126DA
CUSTOMER P.N.:

14.A692.10
Date 17.06.08



C MOUNTING FACE
MAX.DIA. 282 mm
Weight 12.4 Kg

Kompatibla fordon

FORD

Modell	Typ	kW	År
TRANSIT Box (FA_)	2.3 16V RWD (FAA_, FAB_, FAC_)	107	04/01 05/06
TRANSIT Box (FA_)	2.4 DI (FAA_, FAB_, FAC_, FAD_)	66	01/00 05/06

TRANSIT Box (FA__)	2.4 DI RWD (FAA_, FAB_, FAC_, FAD_)	55	01/00 05/06
TRANSIT Box (FA__)	2.4 DI RWD (FAA_, FAB_, FAC_, FAD_)	88	01/00 05/06
TRANSIT Box (FA__)	2.4 TDCi	101	03/04 05/06
TRANSIT Box (FA__)	2.4 TDE	85	03/04 05/06
TRANSIT Box (FA__)	2.4 TDE	92	07/01 05/06
TRANSIT Bus (FD__, FB__, FS__, FZ__, FC__)	2.3 16V RWD (F_B_, F_C_, F_A_)	107	08/00 05/06
TRANSIT Bus (FD__, FB__, FS__, FZ__, FC__)	2.4 DI (F_B_, F_C_, F_A_)	66	01/00 05/06
TRANSIT Bus (FD__, FB__, FS__, FZ__, FC__)	2.4 DI RWD (F_B_, F_C_)	55	01/00 05/06
TRANSIT Bus (FD__, FB__, FS__, FZ__, FC__)	2.4 DI RWD (F_B_, F_C_, F_A_)	88	01/00 05/06
TRANSIT Bus (FD__, FB__, FS__, FZ__, FC__)	2.4 TDCi	101	03/04 05/06
TRANSIT Bus (FD__, FB__, FS__, FZ__, FC__)	2.4 TDE	85	03/04 05/06
TRANSIT Bus (FD__, FB__, FS__, FZ__, FC__)	2.4 TDE (F_C_, F_B_, F_A_)	92	07/01 05/06
TRANSIT Platform/Chassis (FM__, FN__)	2.3 16V (F_A_, F_B_, F_C_, F_D_)	107	04/01 05/06
TRANSIT Platform/Chassis (FM__, FN__)	2.4 DI (F_A_, F_B_, F_C_, F_D_)	55	01/00 05/06
TRANSIT Platform/Chassis (FM__, FN__)	2.4 DI (F_A_, F_B_, F_C_, F_D_)	66	01/00 05/06
TRANSIT Platform/Chassis (FM__, FN__)	2.4 DI (F_A_, F_B_, F_C_, F_D_)	88	01/00 05/06
TRANSIT Platform/Chassis (FM__, FN__)	2.4 TDCi	101	03/04 05/06
TRANSIT Platform/Chassis (FM__, FN__)	2.4 TDE	85	03/04 05/06
TRANSIT Platform/Chassis (FM__, FN__)	2.4 TDE	92	07/01 05/06

OE-nummer

Kompatibla OE-nummer

FORD	4078769
FORD	4446218