

# Bromstrumma 14.A693.10



## Tekniska data för bromstrumman

**Axel** Bak

**Diameter** (Ø)  
280,00 mm

**Max. diameter** (Max. diameter)  
282,00 mm

**Max. diameter**  
282,00 mm

**Bredd**  
75,50 mm

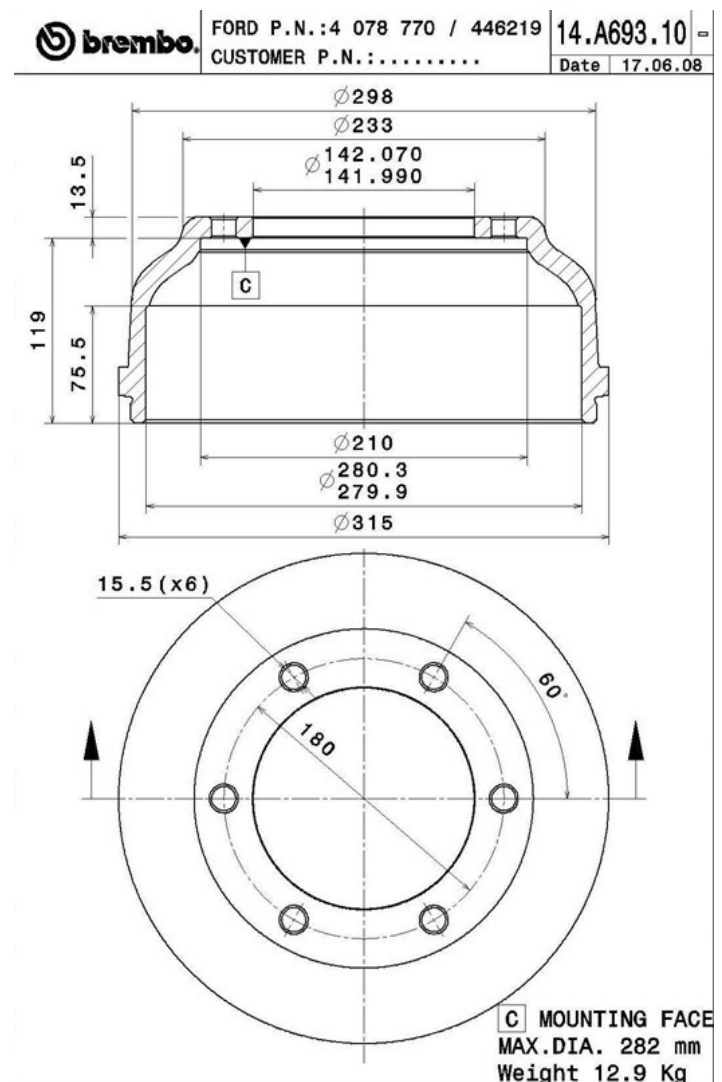
**Centreringsdiameter** (B)  
142 mm

**Totalhöjd** (C)  
132,50 mm

**Antal hål** (D)  
6,00

**Lagersats**

**EAN-kod**  
8020584017159



## Kompatibla fordon

### FORD

Modell	Typ	kW	År
TRANSIT Box (FA_)	2.3 16V RWD (FAA_, FAB_, FAC_)	107	04/01 05/06
TRANSIT Box (FA_)	2.4 DI (FAA_, FAB_, FAC_, FAD_)	66	01/00 05/06

TRANSIT Box (FA__)	2.4 DI RWD (FAA_, FAB_, FAC_, FAD_)	55	01/00 05/06
TRANSIT Box (FA__)	2.4 DI RWD (FAA_, FAB_, FAC_, FAD_)	88	01/00 05/06
TRANSIT Box (FA__)	2.4 TDCi	101	03/04 05/06
TRANSIT Box (FA__)	2.4 TDE	85	03/04 05/06
TRANSIT Box (FA__)	2.4 TDE	92	07/01 05/06
TRANSIT Bus (FD__, FB__, FS__, FZ__, FC__)	2.3 16V RWD (F_B_, F_C_, F_A_)	107	08/00 05/06
TRANSIT Bus (FD__, FB__, FS__, FZ__, FC__)	2.4 DI (F_B_, F_C_, F_A_)	66	01/00 05/06
TRANSIT Bus (FD__, FB__, FS__, FZ__, FC__)	2.4 DI RWD (F_B_, F_C_)	55	01/00 05/06
TRANSIT Bus (FD__, FB__, FS__, FZ__, FC__)	2.4 DI RWD (F_B_, F_C_, F_A_)	88	01/00 05/06
TRANSIT Bus (FD__, FB__, FS__, FZ__, FC__)	2.4 TDCi	101	03/04 05/06
TRANSIT Bus (FD__, FB__, FS__, FZ__, FC__)	2.4 TDE	85	03/04 05/06
TRANSIT Bus (FD__, FB__, FS__, FZ__, FC__)	2.4 TDE (F_C_, F_B_, F_A_)	92	07/01 05/06
TRANSIT Platform/Chassis (FM__, FN__)	2.3 16V (F_A_, F_B_, F_C_, F_D_)	107	04/01 05/06
TRANSIT Platform/Chassis (FM__, FN__)	2.4 DI (F_A_, F_B_, F_C_, F_D_)	55	01/00 05/06
TRANSIT Platform/Chassis (FM__, FN__)	2.4 DI (F_A_, F_B_, F_C_, F_D_)	66	01/00 05/06
TRANSIT Platform/Chassis (FM__, FN__)	2.4 DI (F_A_, F_B_, F_C_, F_D_)	88	01/00 05/06
TRANSIT Platform/Chassis (FM__, FN__)	2.4 TDCi	101	03/04 05/06
TRANSIT Platform/Chassis (FM__, FN__)	2.4 TDE	85	03/04 05/06
TRANSIT Platform/Chassis (FM__, FN__)	2.4 TDE	92	07/01 05/06

## OE-nummer

### Kompatibla OE-nummer

FORD	4078770
FORD	4446219