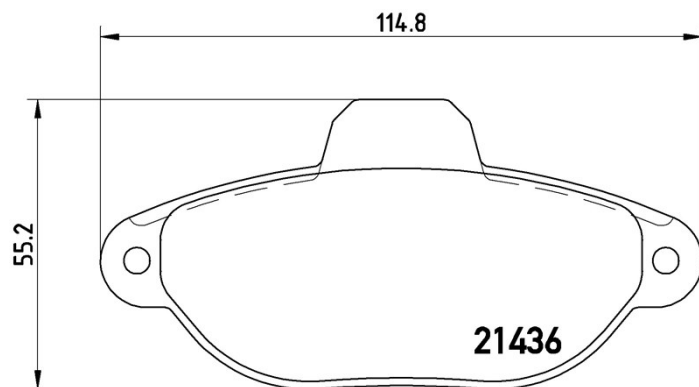


Tekniska data för bromsbelägg

| | |
|------------------------------------|--------------------------------------|
| Axel Fram | WVA 21436 |
| Bredd 114,8 mm | Tjocklek 17 mm |
| Höjd 55,2 mm | Bromssystem Bendix |
| Funktioner Med tillbehör | Slitageindikator Elektrisk |
| EAN-kod 8020584051306 | |



Kompatibla fordon

| FIAT | | | | |
|--------------------------|--|----|-------------|--|
| Modell | Typ | kW | År | |
| PUNTO (176_) | 1.7 D | 42 | 04/94 09/97 | |
| PUNTO (176_) | 55 1.1 | 40 | 09/93 09/99 | |
| PUNTO (176_) | 60 1.2 | 43 | 01/94 09/99 | |
| PUNTO (176_) | 60 1.2 (176AP, 176AR, 176AQ, 176BB) | 44 | 09/93 09/99 | |
| PUNTO (176_) | 75 1.2 | 54 | 10/93 09/99 | |
| PUNTO (188_) | 1.2 60 (188.030, .050, .130, .150, .230, .250) | 44 | 09/99 12/10 | |
| PUNTO (188_) | 1.2 Bifuel | 44 | 08/07 03/12 | |
| PUNTO (188_) | 1.2 Natural Power | 44 | 09/03 03/12 | |
| PUNTO Convertible (176_) | 60 1.2 | 43 | 04/94 06/00 | |
| PUNTO Convertible (176_) | 60 1.2 (176AR_, 176BR_) | 44 | 05/95 06/00 | |
| PUNTO Van (176_) | 1.1 | 40 | 04/96 02/00 | |

PUNTO Van (176_)

1.7 D

42

04/96 02/00

LANCIA

| Modell | Typ | kW | År |
|----------|----------------------|----|-------------|
| Y (840_) | 1.1 (840AE) | 40 | 11/95 09/03 |
| Y (840_) | 1.2 (840AA, 840AF1A) | 44 | 03/96 09/03 |

ZASTAVA

| Modell | Typ | kW | År |
|----------|--------|----|---------|
| 10 (188) | 1.2 60 | 44 | 10/05 - |

OE-nummer**Kompatibla OE-nummer**

| | |
|------|---------------|
| FIAT | 0000005892736 |
| FIAT | 0000071772226 |
| FIAT | 71737178 |
| FORD | 1559698 |
| FORD | 1575620 |
| FORD | 1669578 |
| FORD | 9S512K021B |
| FORD | 9S512K021BA |
| FORD | ME9S5J2K021BA |