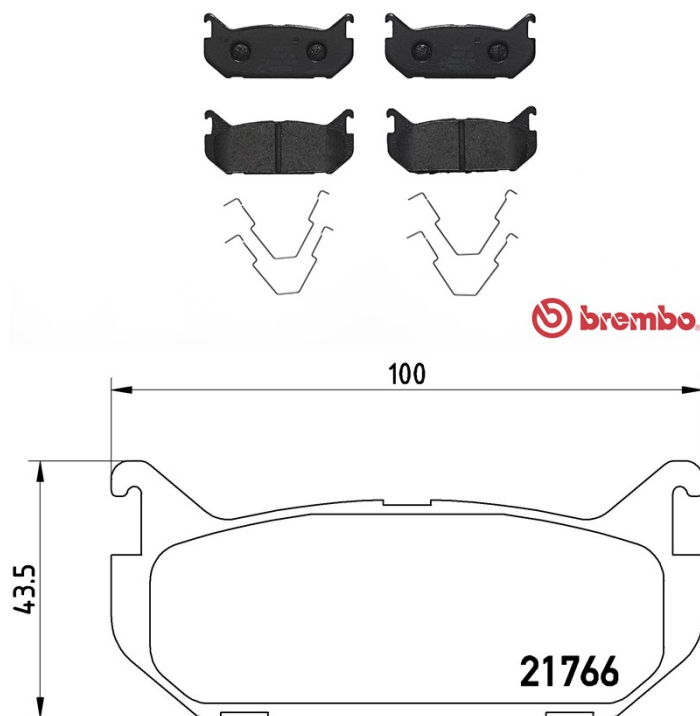


Tekniska data för bromsbeläggen

Axel Bak	WVA 21766
Bredd 100 mm	Tjocklek 14,8 mm
Höjd 43,5 mm	Bromssystem Sumitomo
Funktioner Med tillbehör	Slitageindikator Utan
EAN-kod 8020584052082	



Kompatibla fordon

EUNOS

Modell	Typ	kW	År
500 Saloon	2.0	105	01/92 10/99

FORD AUSTRALIA

Modell	Typ	kW	År
PROBE (ST, SU, SV)	2.5	120	07/94 01/98

FORD USA

Modell	Typ	kW	År
PROBE II (ECP)	2.0 16V	85	10/93 03/98
PROBE II (ECP)	2.5 V6 24V	119	10/93 03/98
PROBE II (ECP)	2.5 V6 24V	120	12/94 03/98

MAZDA

Modell	Typ	kW	År
626 IV (GE)	1.8 i	77	01/92 04/97

626 IV (GE)	1.8 i	78	05/94 06/97
626 IV (GE)	1.8 i	66	08/94 04/97
626 IV (GE)	2.0 D	56	05/94 06/97
626 IV (GE)	2.0 D GLX Complex	55	10/92 04/97
626 IV (GE)	2.0 i	85	01/92 04/97
626 IV (GE)	2.0 i 4WD	85	04/92 04/97
626 IV (GE)	2.5 24V	121	01/92 04/97
626 IV Hatchback (GE)	1.8	77	08/91 04/97
626 IV Hatchback (GE)	1.8	66	08/94 04/97
626 IV Hatchback (GE)	2.0 D GLX Complex	55	01/93 04/97
626 IV Hatchback (GE)	2.0 i	85	08/91 04/97
626 IV Hatchback (GE)	2.0 i 4WD	85	04/92 04/97
626 IV Hatchback (GE)	2.5 24V	121	01/92 04/97
626 IV Hatchback (GE)	2.5 24V	120	08/94 04/97
MX-6 (GD)	2.5	122	09/92 01/97
MX-6 (GE)	1.8	74	12/95 02/97
MX-6 (GE)	2.0	85	02/92 02/97
MX-6 (GE)	2.2	162	12/95 02/97
MX-6 (GE)	2.5 24V	121	02/92 09/97
MX-6 (GE)	2.5 24V	123	02/93 11/95
MX-6 (GE)	2.5 i 24V	120	08/94 02/97
XEDOS 6 (CA)	1.6 16V	79	06/94 10/99
XEDOS 6 (CA)	1.6 16V	83	08/92 05/94
XEDOS 6 (CA)	1.8	85	04/94 10/99
XEDOS 6 (CA)	2.0 V6	106	01/92 05/94
XEDOS 6 (CA)	2.0 V6	103	06/94 10/99

OE-nummer

Kompatibla OE-nummer

FORD	3868298
FORD	3898005
FORD	F42Z2200A

FORD USA	3983657
FORD USA	4851570
MAZDA	1U092648Z
MAZDA	1U0A2648Z
MAZDA	G5Y52643Z
MAZDA	G5Y52643ZA
MAZDA	G5Y52643ZB
MAZDA	G5Y52643ZC
MAZDA	G5Y52648Z
MAZDA	G5Y62643Z
MAZDA	G5Y62643ZA
MAZDA	G5Y62643ZB
MAZDA	G5Y62643ZC
MAZDA	G5Y62648Z
MAZDA	GAYE2643B
MAZDA	GAYE2643Z
MAZDA	GAYE2643ZA
MAZDA	GAYE2643ZB
MAZDA	GAYE2643ZC
MAZDA	GS392623Z
MITSUBISHI	G5Y62648Z9C
MITSUBISHI	G5Y62648ZA
MITSUBISHI	GAYE2649ZA
NISSAN	AY060MA002