

Tekniska data för bromsbeläggen

Axel
Fram

WVA
21322, 21323, 21324

Bredd
132,1 - 132,2 mm

Tjocklek
15 mm

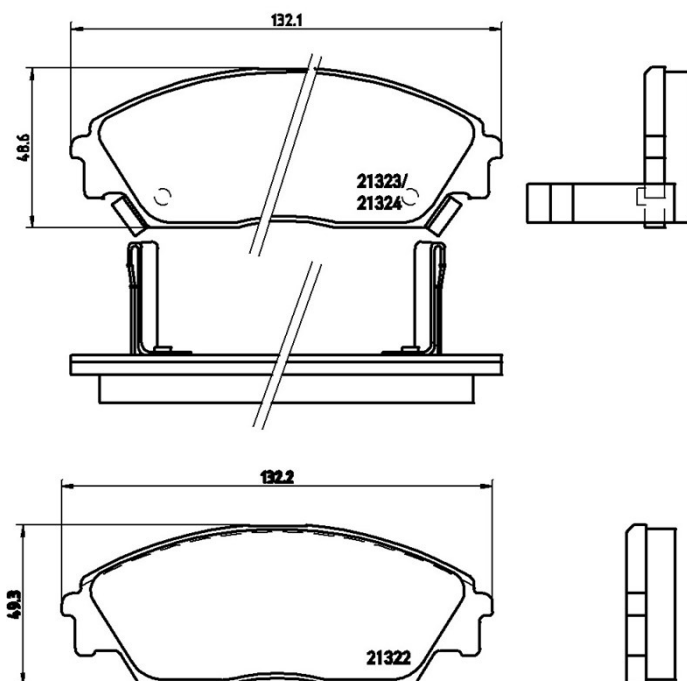
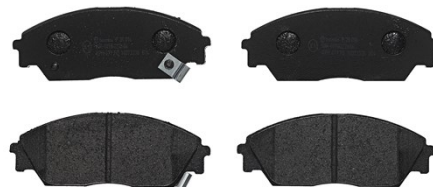
Höjd
48,6 - 49,3 mm

Bromssystem
Akebono

Funktioner

Slitageindikator
Akustisk

EAN-kod
8020584052501



Kompatibla fordon

HONDA

Modell	Typ	kW	År
CIVIC II Shuttle (EE)	1.4 i 16V (EE1)	66	01/88 12/92
CIVIC II Shuttle (EE)	1.5 i 16V (EE2)	69	01/88 11/91
CIVIC II Shuttle (EE)	1.6 4x4	85	01/88 12/92
CIVIC II Shuttle (EE)	1.6 i 16V 4WD (EE4)	81	01/88 02/95
CIVIC II Shuttle (EE)	1.6 i 16V 4WD (EE4)	80	01/88 12/89
CIVIC IV Hatchback (EC, ED, EE)	1.5	60	01/88 12/89
CIVIC IV Hatchback (EC, ED, EE)	1.5 i 16V	66	10/88 09/91

CIVIC IV Hatchback (EC, ED, EE)	1.5 i 16V (ED6)	69	10/88 09/91
CIVIC IV Hatchback (EC, ED, EE)	1.6 i 16V	91	01/88 12/91
CIVIC IV Hatchback (EC, ED, EE)	1.6 i 16V	96	09/87 09/91
CIVIC IV Hatchback (EC, ED, EE)	1.6 i 16V (ED7)	80	10/87 09/91
CIVIC IV Hatchback (EC, ED, EE)	1.6 i 16V (ED7)	81	10/87 09/91
CIVIC IV Hatchback (EC, ED, EE)	1.6 i 16V Vtec (EE9)	110	10/89 09/91
CIVIC IV Saloon (ED)	1.4 L (ED2)	66	10/87 12/89
CIVIC IV Saloon (ED)	1.5	74	01/88 08/88
CIVIC IV Saloon (ED)	1.5	60	01/88 12/89
CIVIC IV Saloon (ED)	1.5 i 16V	66	10/87 09/91
CIVIC IV Saloon (ED)	1.5 i 16V (ED3)	69	10/87 09/91
CIVIC IV Saloon (ED)	1.6	91	01/88 12/89
CIVIC IV Saloon (ED)	1.6 16V 4x4	79	11/87 09/91
CIVIC IV Saloon (ED)	1.6 4x4	110	01/88 12/91
CIVIC IV Saloon (ED)	1.6 4x4	91	01/89 12/89
CIVIC IV Saloon (ED)	1.6 i 16V	96	09/87 09/91
CIVIC IV Saloon (ED)	1.6 i 16V (ED4)	81	10/87 09/91
CIVIC IV Saloon (ED)	1.6 i 16V (ED4)	80	11/87 09/91
CIVIC IV Saloon (ED)	1.6 i 16V 4x4	80	10/89 09/91
CIVIC VI Fastback (MA, MB)	1.4 i (MA8, MB2)	66	06/95 02/01
CIVIC VI Fastback (MA, MB)	1.4 i (MA8, MB2)	55	09/95 02/01
CIVIC VI Fastback (MA, MB)	1.5 i Vtec-E (MA9)	66	09/94 01/97
CIVIC VI Fastback (MA, MB)	1.6 i (MB1)	83	09/94 01/97
CIVIC VI Fastback (MA, MB)	1.6 i Vtec (MB1)	93	09/94 01/97
CONCERTO (HW, MA)	1.4	66	08/89 10/91
CONCERTO (HW, MA)	1.4	61	10/89 10/92
CONCERTO (HW, MA)	1.5 i 16V	66	08/89 03/95
CONCERTO (HW, MA)	1.6	96	10/89 10/92
CONCERTO (HW, MA)	1.6 16V	78	08/89 03/95
CONCERTO (HW, MA)	1.6 i 16V	82	08/89 03/95
CONCERTO (HW, MA)	1.6 i 16V	90	08/89 03/95

CONCERTO Saloon (HWW)	1.4	66	08/89 10/91
CONCERTO Saloon (HWW)	1.4	61	10/89 10/92
CONCERTO Saloon (HWW)	1.5 i 16V	66	08/89 05/95
CONCERTO Saloon (HWW)	1.6	96	10/89 10/92
CONCERTO Saloon (HWW)	1.6 16V	78	08/89 03/95
CONCERTO Saloon (HWW)	1.6 i 16V	82	08/89 03/95
CONCERTO Saloon (HWW)	1.6 i 16V	90	08/89 03/95
CRX II (ED, EE)	1.6 i 16V	79	10/87 12/91
CRX II (ED, EE)	1.6 i 16V (ED9)	91	10/87 02/92
CRX II (ED, EE)	1.6 i 16V (ED9)	96	10/87 12/89
CRX II (ED, EE)	1.6 i 16V Vtec (EE8)	110	10/89 02/92
PRELUDE III (BA)	2.0 (BA4)	84	08/87 01/92
PRELUDE III (BA)	2.0 EX (BA4)	80	04/87 01/92

OE-nummer

Kompatibla OE-nummer

HONDA	45022SE0000
HONDA	45022SE0010
HONDA	45022SE0020
HONDA	45022SE0509
HONDA	45022SF1000
HONDA	45022SF1010
HONDA	45022SF1020
HONDA	45022SF1023
HONDA	45022SF1305
HONDA	45022SF1505
HONDA	45022SF1506
HONDA	45022SF1525
HONDA	45022SF1526
HONDA	45022SH3317
HONDA	45022SH3327
HONDA	45022SH3505

HONDA	45022SH3515
HONDA	45022SH3549
HONDA	45022SH3930
HONDA	45022SH3931
HONDA	45022SH3932
HONDA	45022SH3933
HONDA	45022SH3934
HONDA	45022SH3G30
HONDA	45022SH3G31
HONDA	45022SH3G32
HONDA	45022SH3G33
HONDA	H4502SH3003
NISSAN	AY040HN001
NISSAN	AY040HN004