

## Tekniska data för bromsbeläggen

**Axel**  
Fram

**WVA**  
21879, 21880, 21881

**Bredd**  
137,7 mm

**Tjocklek**  
18,5 mm

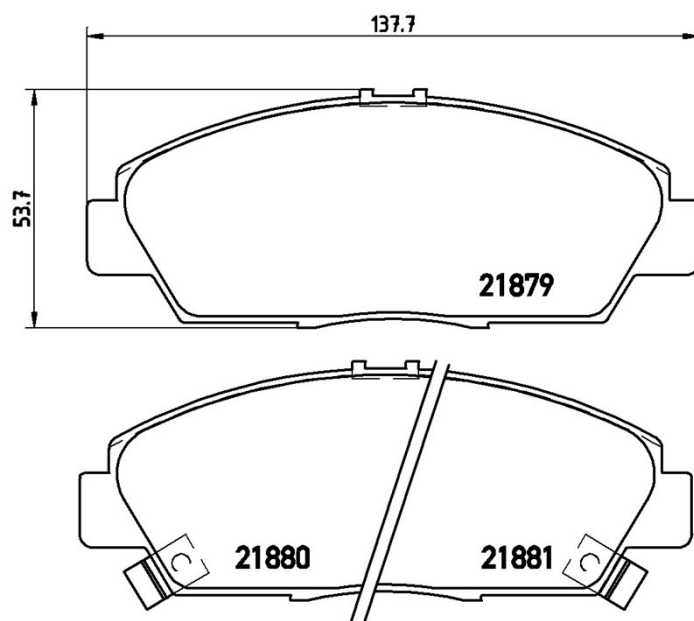
**Höjd**  
53,7 mm

**Bromssystem**  
Akebono

**Funktioner**

**Slitageindikator**  
Akustisk

**EAN-kod**  
8020584052556



## Kompatibla fordon

### HONDA

Modell	Typ	kW	År
ACCORD IV Aerodeck (CB)	2.0 i 16V (CC9)	98	03/93 12/93
ACCORD IV Aerodeck (CB)	2.2 (CB8, CB9)	103	05/92 12/93
ACCORD IV Aerodeck (CB)	2.2 i 16V (CB8)	108	01/91 12/93
ACCORD IV Aerodeck (CB)	2.2 i 16V (CB8)	110	01/91 12/93
ACCORD V (CC, CD)	2.0 i	85	03/93 01/96
ACCORD V (CC, CD)	2.0 i S	96	03/93 01/96
ACCORD V (CE, CF_)	1.9 i (CE7)	85	02/96 10/98
ACCORD V (CE, CF_)	2.0 i LS (CE8)	96	02/96 10/98

ACCORD V (CE, CF_)	2.0 TDi (CF1)	77	04/96 10/98
PRELUDE IV (BB_)	2.0 i 16V (BB3)	98	02/92 09/96
PRELUDE V (BB_)	2.0 16V (BB9)	98	10/96 10/00

## ROVER

Modell	Typ	kW	År
600 (RH)	618 i/Si	85	03/96 02/99
600 (RH)	620 i	85	08/93 06/96
600 (RH)	620 Sdi	77	05/94 06/99
600 (RH)	620 Si	96	08/93 02/99
600 (RH)	620 Ti Vitesse	147	05/94 08/98
600 (RH)	623 Si	116	08/93 06/99

## OE-nummer

### Kompatibla OE-nummer

HONDA	45022S30408
HONDA	45022S30G10
HONDA	45022S30G11
HONDA	45022S30G12
HONDA	45022S30J00
HONDA	45022S30J01
HONDA	45022S30J02
HONDA	45022SE0528
HONDA	45022SE0G10
HONDA	45022SL5000
HONDA	45022SL5010
HONDA	45022SL5020
HONDA	45022SL5408
HONDA	45022SN7G40
HONDA	45022SN7G41
HONDA	45022SN7G42
HONDA	45022SN7Y40
HONDA	45022SS0000

HONDA	45022SS0505
HONDA	45022SS0508
HONDA	45022SS0515
HONDA	45022SS0518
HONDA	45022SS0525
HONDA	45022SS0528
HONDA	45022SS0G10
HONDA	45022SS2408
HONDA	H4502S30003
NISSAN	AY040HN009
ROVER	GBP90330AF
ROVER	GBP90338
ROVER	GBP90338AF