

## Tekniska data för bromsbeläppen

**Axel**  
Bak

**VVA**  
21682, 21683, 21684

**Bredd**  
85,2 mm

**Tjocklek**  
14,5 mm

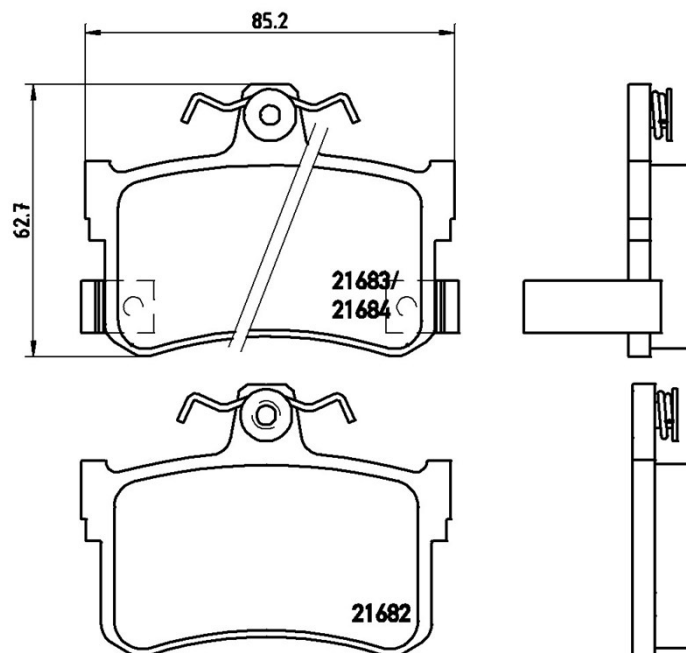
**Höjd**  
62,7 mm

**Bromssystem**  
Lucas

**Funktioner**  
Med bromsok skruvar

**Slitageindikator**  
Akustisk

**EAN-kod**  
8020584052617



## Kompatibla fordon

M G				
Modell	Typ	kW	År	
MG TF	115	85	03/02 12/09	
MG TF	120	88	03/02 12/09	
MG TF	135	100	03/02 12/09	
MG TF	160	118	03/02 12/09	
MGF (RD)	1,8 i VVC	118	10/01 03/02	
MGF (RD)	1.6	82	02/00 03/02	
MGF (RD)	1.8 i 16V	88	03/95 03/02	
MGF (RD)	1.8 i VVC	107	03/95 03/02	

MGR V8 3.9 140 09/92 12/95

**ROVER**

Modell	Typ	kW	År
800 (XS)	820 16V Turbo (RS)	132	01/92 02/99
800 (XS)	820 I/SI (RS)	100	01/92 02/99
800 (XS)	820 Sport	145	04/94 03/96
800 (XS)	825 D/SD (XS)	87	01/90 02/99
800 (XS)	825 Si Lux (RS)	129	04/96 02/99
800 (XS)	827 SI/Sterling Catalytic-Conv (XS)	124	02/88 02/99
800 Coupe	825 SD	87	09/93 02/99
800 Coupe	825 Si (RS)	129	04/96 02/99
800 Coupe	827 24V (RS)	124	08/92 02/99
800 Hatchback (XS)	820 16V Turbo (RS)	132	11/91 02/99
800 Hatchback (XS)	820 I/SI (XS)	100	01/91 02/99
800 Hatchback (XS)	820 Sport	145	04/94 03/96
800 Hatchback (XS)	825 D/SD (XS)	87	01/92 02/99
800 Hatchback (XS)	827 24V I/SI Cat (RS)	124	01/92 02/99

**OE-nummer**

**Kompatibla OE-nummer**

ROVER	GBP90302AF
ROVER	GBP90323
ROVER	GBP90323AF
ROVER	SFP10012