

Tekniska data för bromsbeläggen

Axel
Fram

WVA
23178, 23530, 23531

Bredd
135,5 mm

Tjocklek
16 mm

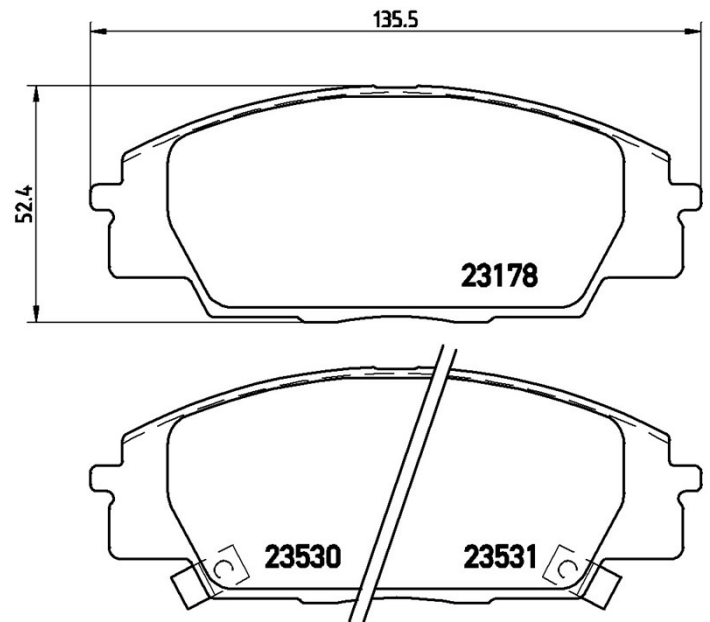
Höjd
52,4 mm

Bromssystem
Sumitomo

Funktioner

Slitageindikator
Akustisk

EAN-kod
8020584052662



Kompatibla fordon

ACURA			
Modell	Typ	kW	År
RSX Coupe (DC_)	2.0 Sport	118	10/01 10/06

HONDA			
Modell	Typ	kW	År
CIVIC VII Hatchback (EU, EP, EV)	2.0 Type-R	147	09/01 09/05
CIVIC VIII Hatchback (FN, FK)	2.0 i-VTEC Type R (FN2)	177	03/10 12/10
CIVIC VIII Hatchback (FN, FK)	Type R (FN2)	148	09/06 -
S2000 (AP)	2.0 (AP1)	177	06/99 -
S2000 (AP)	2.0 Vtec (AP1)	184	10/03 -

OE-nummer**Kompatibla OE-nummer**

ACURA	45022SVBA02
ACURA	45022SVBA03
HONDA	06450S0AJ10
HONDA	06450S2A000
HONDA	06450S2AE01
HONDA	06450S2AE10
HONDA	06450S2AE50
HONDA	06450S5TE00
HONDA	06450S5TE50
HONDA	06450S5TE51
HONDA	06450S6MA00
HONDA	45022S0A940
HONDA	45022S0A942
HONDA	45022S0A943
HONDA	45022S2A000
HONDA	45022S2AE01
HONDA	45022S2AE10
HONDA	45022S2AE50
HONDA	45022S2AE51
HONDA	45022S5TE00
HONDA	45022S5TE50
HONDA	45022S5TE51
HONDA	45022S6MA00
HONDA	45022SMTE00
HONDA	45022SMTE50
HONDA	6450S5TE51
HONDA	H4502S0A003
ISUZU	5860118480

ISUZU	586012654
-------	-----------

ISUZU	5860126540
-------	------------

ISUZU	586014833
-------	-----------

ISUZU	5860148330
-------	------------
