

Tekniska data för bromsbeläggen

Axel
Fram

WVA
21497, 21498, 21499

Bredd
137,7 mm

Tjocklek
18 mm

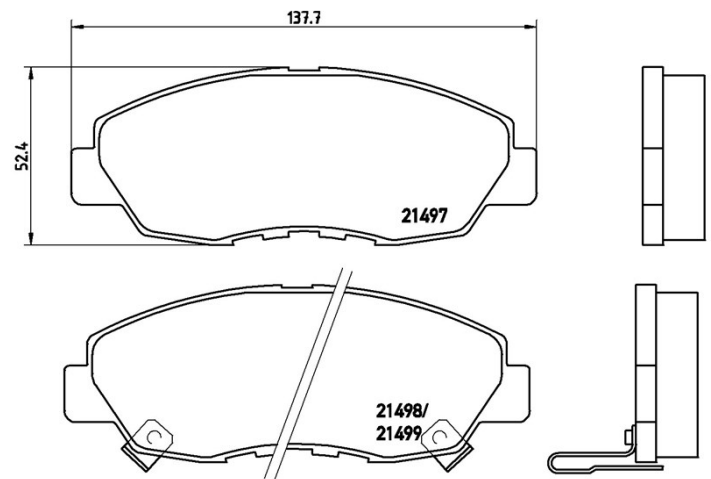
Höjd
52,4 mm

Bromssystem
Akebono

Funktioner

Slitageindikator
Akustisk

EAN-kod
8020584060551



Kompatibla fordon

HONDA				
Modell	Typ	kW	År	
ACCORD IV (CB)	1.8	77	01/90 12/91	
ACCORD IV (CB)	2.0 16V (CB3)	66	01/90 03/93	
ACCORD IV (CB)	2.0 16V (CB3)	81	01/90 03/93	
ACCORD IV (CB)	2.0 i 16V (CB3)	98	01/90 03/93	
ACCORD IV Coupe (CB, CC)	2.0 i 16V (CC1)	98	01/92 09/93	
ACCORD VI (CK, CG, CH, CF8)	3.0 Vtec (CK1)	147	03/97 12/03	
CIVIC Coupe	1.8	104	01/12 -	
CIVIC IX Saloon (FB, FG)	1.8	104	09/11 -	
CIVIC VIII Saloon (FD, FA)	1.6	92	01/12 -	
CIVIC VIII Saloon (FD, FA)	1.6	84	09/05 -	
CIVIC VIII Saloon (FD, FA)	1.8 (FD1, FD7)	103	09/05 02/12	

HONDA (GAC)

Modell	Typ	kW	År
ACCORD VI (CF_, CG_)	2.3 Vtec	110	06/00 12/02

OE-nummer**Kompatibla OE-nummer**

HONDA	06450S5DA00
HONDA	06450S5DA01
HONDA	06450S9A000
HONDA	06450S9A010
HONDA	45022S01A02
HONDA	45022S01A03
HONDA	45022S10000
HONDA	45022S10010
HONDA	45022S10020
HONDA	45022S5DA00
HONDA	45022S5DH00
HONDA	45022S9A000
HONDA	45022SM4517
HONDA	45022SM4A00
HONDA	45022SM4A01
HONDA	45022SM4G00
HONDA	45022SNEA00
HONDA	45022TR3A00
HONDA	45022TR3A01
HONDA	H4502S10003
HONDA	H4502S9A003
NISSAN	AY040HN014