

## Tekniska data för bromsbeläggen

**Axel**  
Fram

**WVA**  
24638, 24639, 24640

**Bredd**  
151,2 mm

**Tjocklek**  
19,0 mm

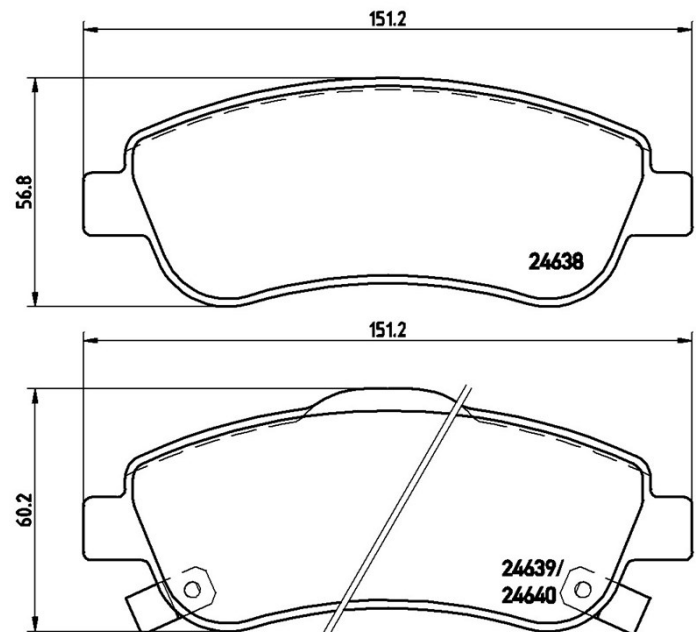
**Höjd**  
56,8 - 60,2 mm

**Bromssystem**  
Bosch

**Funktioner**

**Slitageindikator**  
Akustisk

**EAN-kod**  
8020584060582



## Kompatibla fordon

HONDA			
Modell	Typ	kW	År
CR-V III (RE_)	2.0 i-VTEC (RE5)	110	01/07 06/12
CR-V III (RE_)	2.0 i-VTEC 4WD (RE5, RE2)	110	10/06 06/12
CR-V III (RE_)	2.2 i-CTDi 4WD (RE6)	103	01/07 -
CR-V III (RE_)	2.2 i-DTEC 4WD (RE6)	110	01/07 -
CR-V III (RE_)	2.4	124	06/06 -
CR-V III (RE_)	2.4	134	06/06 06/12
CR-V III (RE_)	2.4	125	04/07 -
CR-V III (RE_)	2.4 4WD (RE4)	124	09/06 -

CR-V III (RE_)	2.4 i-Vtec 4WD	125	04/07 -
CR-V III (RE_)	2.4 i-VTEC 4WD (RE4)	118	10/06 -
CR-V III (RE_)	2.4 i-VTEC 4WD (RE7)	122	09/09 -
CR-V IV (RM_)	1.6 i-DTEC (RE6)	88	10/13 -
CR-V IV (RM_)	1.6 i-DTEC 4WD	118	02/15 -
CR-V IV (RM_)	2.0	110	01/12 -
CR-V IV (RM_)	2.0 (RE5)	114	10/12 -
CR-V IV (RM_)	2.0 AWD (RE5)	114	10/12 -
CR-V IV (RM_)	2.0 Flex (RE5)	114	01/13 -
CR-V IV (RM_)	2.2 i-DTEC AWD (RE6)	110	10/12 -

## OE-nummer

### Kompatibla OE-nummer

HONDA	45022SWWG00
HONDA	45022SWWG01
HONDA	45022SWWG02
HONDA	45022T1EG00