

Tekniska data för bromsbelägg

Axel

Bak

WVA

20233, 20572

Bredd

89,9 mm

Tjocklek

13,2 mm

Höjd

53,6 mm

Bromssystem

Lucas

Funktioner

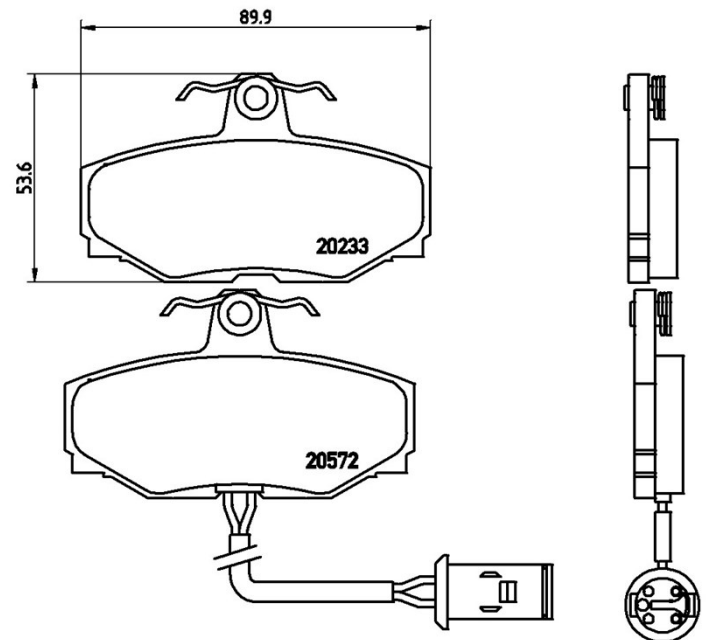
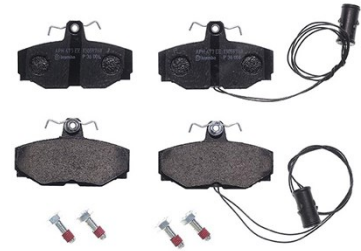
Med bromsok skruvar

Slitageindikator

Elektrisk

EAN-kod

8020584052990



Kompatibla fordon

DAIMLER

Modell	Typ	kW	År
XJ 40, 81	Sovereign 3.6	145	10/86 07/89
XJ 40, 81	Sovereign 3.6	136	10/86 09/89
XJ 40, 81	Sovereign 4.0	163	09/89 09/94

JAGUAR

Modell	Typ	kW	År
XJ (XJ40, XJ81)	3.6	136	10/86 08/89
XJ (XJ40, XJ81)	6 2.9	108	10/86 08/90
XJ (XJ40, XJ81)	6 2.9	117	10/86 08/90

XJ (XJ40, XJ81)	6 2.9	123	10/86 08/90
XJ (XJ40, XJ81)	6 3.6	145	10/86 08/89
XJ (XJ40, XJ81)	6 3.6	156	10/86 08/89
XJ (XJ40, XJ81)	6 4.0	163	09/89 11/94
XJ Coupe	3.6	146	01/88 05/91
XJ Coupe	3.6	136	01/88 05/92
XJ Coupe	3.6	162	10/83 12/88
XJ Coupe	3.6	156	10/83 12/89
XJ Coupe	4.0	175	10/86 12/89
XJ Coupe	5.3	197	01/86 12/89
XJ Coupe	5.3	202	01/88 06/91
XJ Coupe	5.3	211	09/73 05/92
XJ Coupe	5.3 H.E.	217	07/81 12/87
XJ Coupe	5.3 H.E.	194	09/85 09/92
XJ Coupe	6.0	238	09/89 12/93
XJSC Convertible (X27)	3.6	136	08/87 05/91
XJSC Convertible (X27)	3.6	156	08/87 05/91
XJSC Convertible (X27)	3.6	162	10/86 12/88
XJSC Convertible (X27)	3.6	146	10/87 02/91
XJSC Convertible (X27)	4.0	175	10/87 12/89
XJSC Convertible (X27)	5.3	197	01/86 05/88
XJSC Convertible (X27)	5.3	211	01/88 05/92
XJSC Convertible (X27)	5.3	202	01/88 09/91
XJSC Convertible (X27)	5.3 H.E.	194	07/85 05/92
XJSC Convertible (X27)	5.3 H.E.	217	09/85 12/90

OE-nummer

Kompatibla OE-nummer

JAGUAR	JJLM1282
JAGUAR	JLM1282
JAGUAR	JLM603