

Tekniska data för bromsbeläggen

Axel
Bak

WVA
20547, 24487

Bredd
140,3 mm

Tjocklek
16 mm

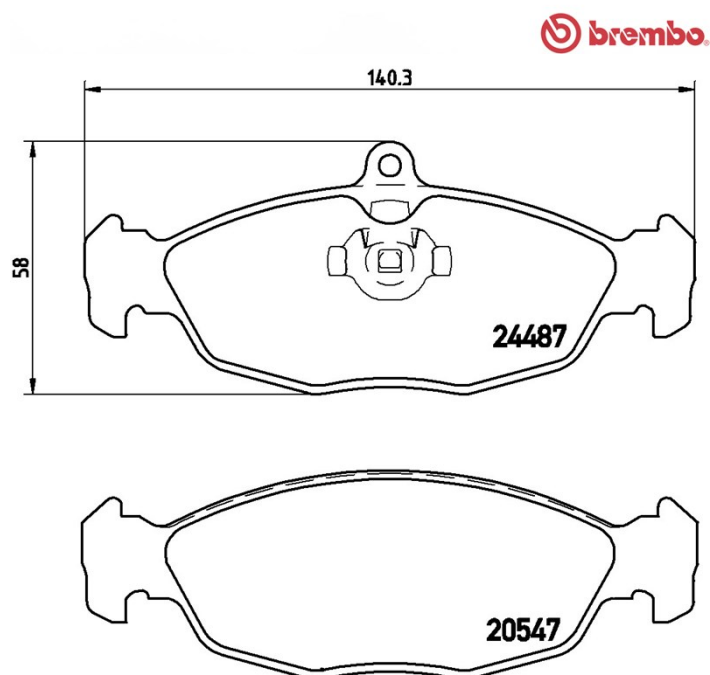
Höjd
48 - 58 mm

Bromssystem
Teves

Funktioner
Med kolvlämma

Slitageindikator
Förberedd

EAN-kod
8020584060834



Kompatibla fordon

ASTON MARTIN

Modell	Typ	kW	År
DB7 Vantage	3.2	233	05/94 06/99

DAIMLER

Modell	Typ	kW	År
DAIMLER (XJ4_)	4.0	163	10/89 09/94
DAIMLER (XJ4_)	4.0	173	10/89 09/94
DAIMLER (XJ4_)	4.0 Super	183	09/92 09/94
DAIMLER XJ (X30_)	4.0 Long	216	10/97 06/03
DAIMLER XJ (X30_)	Double Six 6.0	229	10/94 06/03

DAIMLER XJ (X30_)	Six 4.0	209	07/97 12/02
DAIMLER XJ (X30_)	Six 4.0	177	10/94 06/03
DAIMLER XJ (X30_)	V8 Super 4.0	267	07/97 06/03

JAGUAR

Modell	Typ	kW	År
XJ (X308)	3.2	174	07/97 05/03
XJ (X308)	4.0	209	07/97 05/03
XJ (XJ40, XJ81)	4.0	166	10/89 08/94
XJ (XJ40, XJ81)	4.0	187	10/89 08/94
XJ (XJ40, XJ81)	6 4.0	163	09/89 11/94
XJ (XJ40, XJ81)	V12 6.0	229	03/93 11/94
XK 8 Convertible (X100)	4.0	267	02/98 07/05
XK 8 Convertible (X100)	4.0	209	03/96 12/02
XK 8 Convertible (X100)	4.0	216	05/96 07/99
XK 8 Convertible (X100)	4.0 XKR	276	05/98 07/05
XK 8 Convertible (X100)	4.2	219	08/02 12/06
XK 8 Convertible (X100)	R 4,2	291	08/02 12/06
XK 8 Coupe (X100)	4.0	267	02/98 07/05
XK 8 Coupe (X100)	4.0	209	03/96 07/05
XK 8 Coupe (X100)	4.0	216	05/96 07/05
XK 8 Coupe (X100)	4.0 XKR	276	05/98 07/05
XK 8 Coupe (X100)	4.2	219	08/02 07/05
XK 8 Coupe (X100)	R 4,2	291	08/02 07/05

OE-nummer

Kompatibla OE-nummer

JAGUAR	JLM021220
JAGUAR	JLM21220
JAGUAR	JLM21918