

Tekniska data för bromsbelägg

Axel
Fram

WVA
24084, 24326

Bredd
156 - 156,2 mm

Tjocklek
19 mm

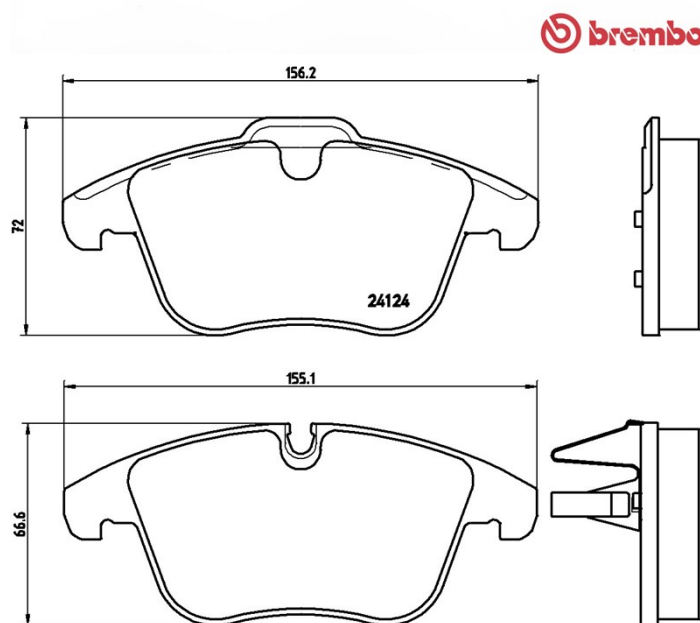
Höjd
66,6 - 72,0 mm

Bromssystem
Teves

Funktioner

Slitageindikator
Förberedd

EAN-kod
8020584060889



Kompatibla fordon

DAIMLER

Modell	Typ	kW	År
SUPER EIGHT (X350)	4.2	291	09/05 12/09

JAGUAR

Modell	Typ	kW	År
S-TYPE (X200)	2.5 V6	147	04/02 10/07
S-TYPE (X200)	2.7 D	152	06/04 10/07
S-TYPE (X200)	3.0 V6	175	01/99 10/07
S-TYPE (X200)	4.0 V8	203	01/99 04/02
S-TYPE (X200)	4.0 V8	209	09/99 12/02
S-TYPE (X200)	4.2 V8	219	04/02 10/07

XF (X250)	2.0	177	06/12 04/15
XF (X250)	2.2 D	147	03/12 04/15
XF (X250)	2.2 D	120	04/11 04/15
XF (X250)	2.2 D	140	05/11 04/15
XF (X250)	2.7 D	152	03/08 04/15
XF (X250)	3.0	175	03/08 04/15
XF (X250)	3.0	179	03/08 04/15
XF (X250)	3.0 D	155	03/09 04/15
XF (X250)	3.0 D	177	03/09 04/15
XF (X250)	3.0 D	202	03/09 04/15
XF (X250)	4.2	219	03/08 04/15
XF SPORTBRAKE (X250)	2.0 T	177	08/13 12/15
XF SPORTBRAKE (X250)	2.2 D	120	09/12 04/14
XF SPORTBRAKE (X250)	2.2 D	147	09/12 04/14
XF SPORTBRAKE (X250)	3.0 D	177	09/12 04/14
XJ (X350)	3.0	179	04/04 01/07
XJ (X350)	3.0	175	05/03 03/09
XJ (X350)	3.6	190	05/03 03/09
XJ (X350)	4.2	224	05/07 03/09
XJ (X350)	4.2	219	05/03 03/09
XJ (X350)	D 2.7	152	10/05 03/09
XJ (X350)	R 4.2	291	03/03 03/09
XK Convertible (X150)	3.6	190	10/07 07/14
XK Convertible (X150)	4.2	291	09/07 12/09
XK Convertible (X150)	4.2 XK	224	02/08 07/14
XK Convertible (X150)	4.2 XK8	219	03/06 07/14
XK Coupe (X150)	3.6	190	07/07 07/14
XK Coupe (X150)	4.2 XK	224	02/08 07/14
XK Coupe (X150)	4.2 XK8	219	03/06 07/14
XK Coupe (X150)	4.2 XKR	291	03/06 07/14
XK Coupe (X150)	5.0 V8	283	01/09 07/14

OE-nummer

Kompatibla OE-nummer

JAGUAR	C2C039929
--------	-----------

JAGUAR	C2C27290
--------	----------

JAGUAR	C2C35612
--------	----------

JAGUAR	C2C39929
--------	----------

JAGUAR	C2C42014
--------	----------