

Tekniska data för bromsbeläggen

Axel
Fram

WVA
21845, 21846, 21847

Bredd
137,8 mm

Tjocklek
16,5 mm

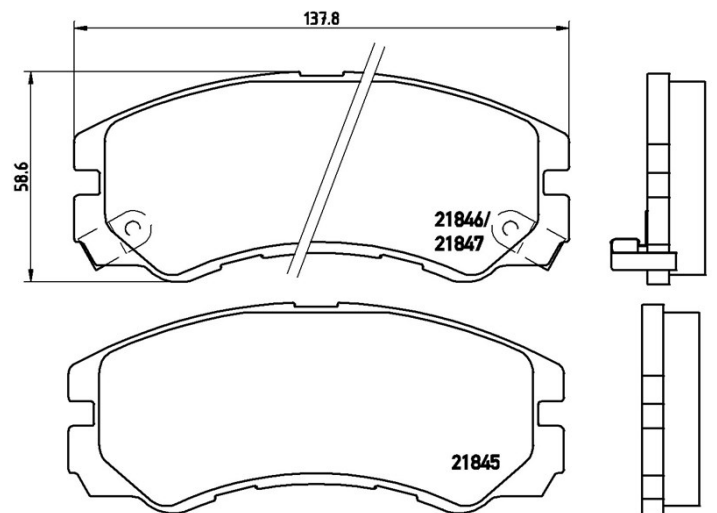
Höjd
58,6 mm

Bromssystem
Akebono

Funktioner

Slitageindikator
Akustisk

EAN-kod
8020584055519



Kompatibla fordon

HOLDEN

Modell	Typ	kW	År
FRONTERA (UES)	2.0 i 4x4	85	10/95 03/99
FRONTERA (UES)	2.2 i 4x4	96	02/99 07/02
FRONTERA (UES)	3.2 i 4x4	151	08/98 04/04
JACKAROO / MONTEREY (UBS)	3.0 TD 4x4 (UBS73)	117	03/98 09/04
JACKAROO / MONTEREY (UBS)	3.1 TD 4x4 (UBS69)	84	04/92 02/98
JACKAROO / MONTEREY (UBS)	3.2 i 4x4 (UBS25)	130	04/92 02/98
JACKAROO / MONTEREY (UBS)	3.5 RS 4x4 (UBS26)	158	03/98 09/04
RODEO Pickup (RA)	3.5 i (TFR26)	147	02/03 12/05
RODEO Pickup (RA)	3.5 i 4x4 (TFS26)	147	02/03 12/05
RODEO Pickup (RA)	3.6 i (TFR27)	157	01/06 06/08

RODEO Pickup (RA)	3.6 i 4x4 (TFS27)	157	01/06 06/08
RODEO Pickup (TF)	3.2 4x4 (TFS25)	140	02/98 02/03
RODEO Pickup (TF)	3.2 i (TFR25)	140	02/98 02/03
RODEO Platform/Chassis (TF)	3.2 i (TFR25)	140	02/98 02/03
RODEO Platform/Chassis (TF)	3.2 i 4x4 (TFS25)	140	03/98 02/03

ISUZU

Modell	Typ	kW	År
MU (_U_)	2.6 4x4 (UCS17)	89	02/89 07/94
RODEO Closed Off-Road Vehicle	3.2 V6 4WD	151	09/97 08/04
TROOPER II (UB)	3.1 TD	84	08/91 07/98
TROOPER II (UB)	3.2	130	08/91 07/98
TROOPER II Open Off-Road Vehicle (UB)	2.6 4x4	85	08/91 04/96
TROOPER II Open Off-Road Vehicle (UB)	3.1 TD	84	08/91 07/98
TROOPER II Open Off-Road Vehicle (UB)	3.2	130	08/91 07/98
TROOPER III	3.0 DTI	117	05/98 08/04
TROOPER III	3.5 V6 24V AWD	158	04/00 08/04
TROOPER III Open Off-Road Vehicle	3.0 DTI	118	04/00 08/04
TROOPER III Open Off-Road Vehicle	3.5 V6 24V	158	04/00 08/04
VEHICROSS (_U_)	3.2 4x4 (UGS25)	158	04/97 12/00
WIZARD (_U_)	3.0 TD 4x4 (UES73)	107	06/98 08/02
WIZARD (_U_)	3.2 4x4 (UES25)	158	06/98 08/02

OPEL

Modell	Typ	kW	År
FRONTERA A (U92)	2.2 i (54MWL4)	100	03/95 10/98
FRONTERA A (U92)	2.3 TD (5JMWL4)	74	03/92 10/98
FRONTERA A (U92)	2.4 i (53MWL4)	92	03/92 10/98
FRONTERA A (U92)	2.5 TDS	85	09/96 10/98
FRONTERA A (U92)	2.8 TD (5BMWL4, 5BSUD2)	83	03/95 08/98
FRONTERA A Sport (U92)	2.0 i (52SUD2, 55SUD2)	85	03/92 10/98
FRONTERA A Sport (U92)	2.5 TDS	85	09/96 10/98
FRONTERA A Sport (U92)	2.8 TD (5BSUD2)	83	03/95 08/96
FRONTERA B (U99)	2.2 DTI (6B_66, 6B_76)	88	09/02 07/04
FRONTERA B (U99)	2.2 DTI (6B_ZC, 6B_VF, 6B_66, 6B_76)	85	10/98 09/02

FRONTERA B (U99)	2.2 i (6B_ZC, 6B_VF, 6B_66, 6B_76)	100	10/98 07/04
FRONTERA B (U99)	3.2 i (6B1VF, 6B1_6)	151	10/98 07/04
MONTEREY A (M92)	3.1 TD (UBS69D, UBS69G)	84	09/91 07/98
MONTEREY A (M92)	3.2 (UBS25D, UBS25G)	130	08/91 03/94
MONTEREY B (M98)	3.0 DTI (UBS73D, UBS73G)	117	07/98 08/99
MONTEREY B (M98)	3.5 V6 24V (UBS26D, UBS26G)	158	07/98 08/99

VAUXHALL

Modell	Typ	kW	År
FRONTERA Mk I (A) (U92)	2.0	85	04/95 08/98
FRONTERA Mk I (A) (U92)	2.2 i	100	03/95 10/98
FRONTERA Mk I (A) (U92)	2.3 TD	74	09/91 06/98
FRONTERA Mk I (A) (U92)	2.4 i	92	03/92 10/98
FRONTERA Mk I (A) (U92)	2.5 TDS	85	11/91 06/98
FRONTERA Mk I (A) (U92)	2.8 TD	83	01/95 12/96
FRONTERA Mk I (A) Sport (U92)	2.0 i	85	03/92 10/98
FRONTERA Mk I (A) Sport (U92)	2.5 TDS	85	09/96 10/98
FRONTERA Mk I (A) Sport (U92)	2.8 TD	83	01/95 12/96
FRONTERA Mk II (B) (U99)	2.2 DTI	85	10/98 09/04
FRONTERA Mk II (B) (U99)	2.2 i	100	10/98 10/04
FRONTERA Mk II (B) (U99)	3.2 i	151	10/98 10/04
MONTEREY (M92)	3.1 TD	84	09/91 07/98
MONTEREY (M92)	3.2	130	06/92 07/98
MONTEREY Mk II (M98)	3.0 DTI	117	07/98 08/99
MONTEREY Mk II (M98)	3.5 V6 24V	158	07/98 08/99

OE-nummer

Kompatibla OE-nummer

ISUZU	897035257
ISUZU	8970352571
ISUZU	897047526
ISUZU	8970475260
ISUZU	8970475261
ISUZU	897070079

ISUZU	897113888
ISUZU	8971138880
ISUZU	897175531
ISUZU	897180525
ISUZU	897191014
ISUZU	8971910140
ISUZU	897206864
ISUZU	8972068640
ISUZU	897206866
ISUZU	8972068660
ISUZU	897206868
ISUZU	897206869
ISUZU	8972068690
NISSAN	AY040SZ001
OPEL	1605017
OPEL	1605848
OPEL	1605852
OPEL	1605913
OPEL	9192177
OPEL	93169002
OPEL	97113888
OPEL	97180525
VAUXHALL	97047526