

Tekniska data för bromsbelägg

Axel
Fram

WVA
21211, 21212

Bredd
156,3 mm

Tjocklek
18,7 mm

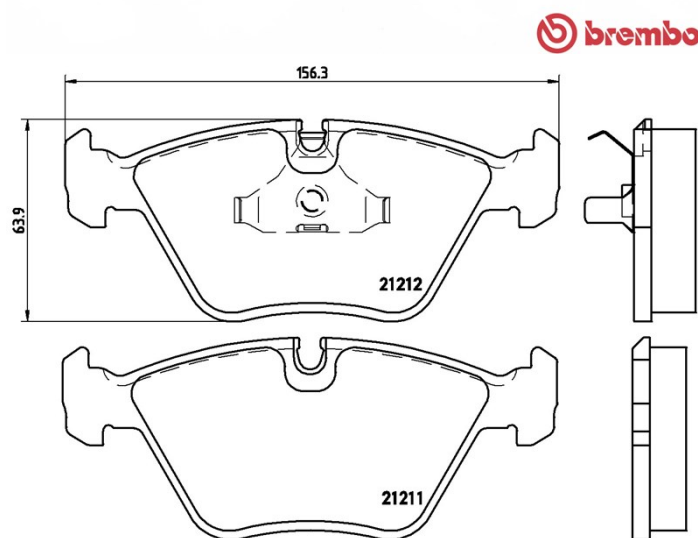
Höjd
63,9 mm

Bromssystem
Teves

Funktioner

Slitageindikator
Förberedd

EAN-kod
8020584056257



Kompatibla fordon

AUDI

Modell	Typ	kW	År
100 (44, 44Q, C3)	1.8 Cat quattro	66	08/85 11/90
100 (44, 44Q, C3)	1.8 quattro	65	08/86 07/90
100 (44, 44Q, C3)	1.8 quattro	66	10/84 07/88
100 (44, 44Q, C3)	2.2	101	08/84 12/88
100 (44, 44Q, C3)	2.2 Cat quattro	101	06/89 11/90
100 (44, 44Q, C3)	2.2 E quattro	88	08/85 07/86
100 (44, 44Q, C3)	2.2 E Turbo quattro	121	08/86 11/90
100 (44, 44Q, C3)	2.2 quattro	101	08/84 12/88
100 (44, 44Q, C3)	2.2 Turbo	121	08/86 11/90
100 (44, 44Q, C3)	2.3 E	98	01/90 11/90

100 (44, 44Q, C3)	2.3 E	100	10/86 11/90
100 (44, 44Q, C3)	2.3 E quattro	100	08/86 11/90
100 (44, 44Q, C3)	2.3 quattro	98	01/90 11/90
100 (44, 44Q, C3)	2.5 TDI	88	01/90 11/90
100 Avant (44, 44Q, C3)	1.8 Cat quattro	66	08/85 10/90
100 Avant (44, 44Q, C3)	1.8 quattro	65	08/86 07/90
100 Avant (44, 44Q, C3)	1.8 quattro	66	10/84 07/88
100 Avant (44, 44Q, C3)	2.2	101	08/84 12/88
100 Avant (44, 44Q, C3)	2.2 Cat quattro	101	06/89 11/90
100 Avant (44, 44Q, C3)	2.2 E quattro	88	08/85 07/86
100 Avant (44, 44Q, C3)	2.2 quattro	101	08/84 12/88
100 Avant (44, 44Q, C3)	2.2 Turbo	121	08/86 11/90
100 Avant (44, 44Q, C3)	2.2 Turbo quattro	121	08/86 11/90
100 Avant (44, 44Q, C3)	2.3 E quattro	100	08/86 11/90
100 Avant (44, 44Q, C3)	2.3 quattro	98	01/90 11/90
100 Avant (44, 44Q, C3)	2.5 TDI	88	01/90 11/90
200 (44, 44Q)	2.1 Turbo	134	08/83 01/88
200 (44, 44Q)	2.1 Turbo quattro	134	08/83 09/86
200 (44, 44Q)	2.2 Turbo	140	02/88 12/90
200 (44, 44Q)	2.2 Turbo	147	02/88 12/90
200 (44, 44Q)	2.2 Turbo	121	08/85 09/91
200 (44, 44Q)	2.2 Turbo quattro	121	01/85 12/91
200 (44, 44Q)	2.2 Turbo quattro	147	02/88 11/90
200 (44, 44Q)	2.3	100	11/86 09/91
200 Avant (44, 44Q)	2.1 Turbo quattro	134	09/83 01/88
200 Avant (44, 44Q)	2.2 Turbo	121	08/85 09/91
200 Avant (44, 44Q)	2.2 Turbo quattro	147	02/88 12/91
200 Avant (44, 44Q)	2.2 Turbo quattro	121	09/83 12/90
200 Avant (44, 44Q)	2.3	100	11/86 09/91
90 (89, 89Q, 8A, B3)	2.3 E	100	04/87 07/91
90 (89, 89Q, 8A, B3)	2.3 E 20V	123	04/90 07/91

90 (89, 89Q, 8A, B3)	2.3 E 20V	125	08/88 07/91
90 (89, 89Q, 8A, B3)	2.3 E 20V quattro	123	04/90 09/91
90 (89, 89Q, 8A, B3)	2.3 E 20V quattro	125	06/88 09/91
COUPE (89, 8B)	2.0 20 V quattro	118	08/89 07/91
COUPE (89, 8B)	2.3 20V	125	08/89 07/91
COUPE (89, 8B)	2.3 20V	123	08/90 07/91
COUPE (89, 8B)	2.3 20V quattro	123	05/90 12/96
COUPE (89, 8B)	2.3 20V quattro	125	11/88 07/91
COUPE (89, 8B)	2.6	110	08/92 12/96
COUPE (89, 8B)	2.8	128	09/91 12/96
COUPE (89, 8B)	2.8 quattro	128	08/91 12/96
COUPE (89, 8B)	S2 quattro	162	09/90 09/92
COUPE (89, 8B)	S2 quattro	169	10/92 12/96
QUATTRO (85)	2.1 20V Turbo	225	05/84 07/87
QUATTRO (85)	2.1 Turbo	147	07/80 07/87
QUATTRO (85)	2.1 Turbo quattro	119	02/82 07/89
QUATTRO (85)	2.2 20V Turbo	162	08/89 07/91
QUATTRO (85)	2.2 quattro	89	12/84 07/87
QUATTRO (85)	2.2 quattro	100	12/84 07/87
QUATTRO (85)	2.2 Turbo	147	08/87 07/89

CITROËN

Modell	Typ	kW	År
XM (Y3)	3.0 (Y3)	147	05/89 06/94
XM (Y3)	3.0 V6 24V	147	07/90 06/94
XM (Y4)	2.5 TD	95	05/94 10/00
XM (Y4)	3.0 V6 24V	147	05/94 10/00
XM Break (Y4)	2.5 TD	95	05/94 10/00

PEUGEOT

Modell	Typ	kW	År
605 (6B)	3.0	147	08/89 06/94
605 (6B)	3.0 SV 24	147	08/89 09/99
605 (6B)	3.0 V6	140	04/97 09/99

OE-nummer

Kompatibla OE-nummer

AUDI	447615115E
AUDI	447615116E
AUDI	447698151C
CITROËN	425094
CITROËN	E172303
PEUGEOT	425094
PEUGEOT	E172303
SEAT	447615115E
SEAT	447615116E
SEAT	447698151C
SKODA	447615115E
SKODA	447615116E
SKODA	447698151C
VW	447615115E
VW	447615116E
VW	447698151C