

## Tekniska data för bromsbelägg

**Axel**  
Fram

**WVA**  
24084, 24332

**Bredd**  
155,1 mm

**Tjocklek**  
17,9 - 18,8 mm

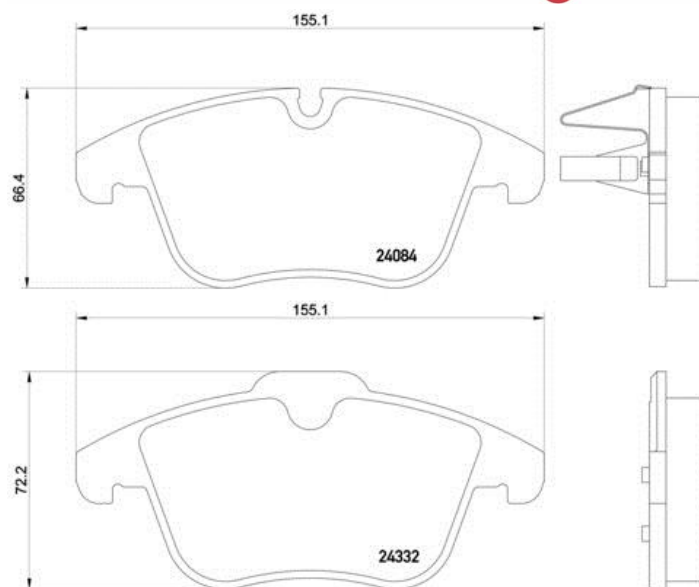
**Höjd**  
66,4 - 72,2 mm

**Funktioner**  
Med kolvklämma

**EAN-kod**  
8020584103548

**Bromssystem**  
Teves

**Slitageindikator**  
Elektrisk



## Kompatibla fordon

### CITROËN

Modell	Typ	kW	År
C5 II (RC_)	2.0 16V (RCRFJB, RCRFJC)	103	09/04 -
C5 III (RD_)	1.6 HDi 110	80	02/08 -
C5 III (RD_)	1.6 HDi 110	82	07/10 -
C5 III (RD_)	1.6 HDi 115	84	01/12 -
C5 III (RD_)	1.6 THP 150	110	07/10 -
C5 III (RD_)	1.6 THP 155	115	04/09 -
C5 III (RD_)	1.6 VTi 120	88	07/10 -
C5 III (RD_)	1.8 16V	92	02/08 -
C5 III (RD_)	2.0 16V	103	02/08 -

C5 III (RD_)	2.0 16V BioFlex	103	02/08 -
C5 III (RD_)	2.0 HDi	100	02/08 -
C5 III (RD_)	2.0 HDi 140	103	04/09 -
C5 III (RD_)	2.0 HDi 150 / BlueHDi 150	110	04/09 -
C5 III (RD_)	2.0 HDi 165	120	04/09 -
C5 III Break (RW_)	1.6 HDi 110	80	02/08 -
C5 III Break (RW_)	1.6 HDi 110	82	07/10 -
C5 III Break (RW_)	1.6 HDi 115	84	01/12 -
C5 III Break (RW_)	1.6 THP 150	110	04/09 -
C5 III Break (RW_)	1.6 THP 155	115	04/09 -
C5 III Break (RW_)	1.6 VTI 120	88	07/10 -
C5 III Break (RW_)	1.8 16V	92	02/08 -
C5 III Break (RW_)	2.0 16V	103	02/08 -
C5 III Break (RW_)	2.0 16V BioFlex	103	02/08 -
C5 III Break (RW_)	2.0 HDi	100	02/08 -
C5 III Break (RW_)	2.0 HDi 140	103	04/09 -
C5 III Break (RW_)	2.0 HDi 150 / BlueHDi 150	110	04/09 -
C5 III Break (RW_)	2.0 HDi 165	120	04/09 -

#### CITROËN (DF-PSA)

Modell	Typ	kW	År
C5	3.0	162	11/09 12/14

#### PEUGEOT

Modell	Typ	kW	År
407 (6D_)	2.0 HDi	103	06/09 12/10
407 (6D_)	2.0 HDi	120	06/09 12/10
407 (6D_)	2.0 HDi 135	100	05/04 10/10
407 Coupe (6C_)	2.0 HDi	120	06/09 -
407 SW (6E_)	2.0 HDi	120	06/09 12/10
407 SW (6E_)	2.0 HDi	103	08/08 12/10
407 SW (6E_)	2.0 HDi	93	11/04 10/07
407 SW (6E_)	2.0 HDi 135	100	07/04 12/10
508 I (8D_)	1.6 BlueHDi 120	88	03/14 -

508 I (8D_)	1.6 HDi	84	02/12 -
508 I (8D_)	1.6 HDi	85	09/14 -
508 I (8D_)	1.6 HDi	82	11/10 -
508 I (8D_)	1.6 THP	120	01/12 -
508 I (8D_)	1.6 THP	121	09/11 -
508 I (8D_)	1.6 THP	110	11/10 -
508 I (8D_)	1.6 THP	115	11/10 -
508 I (8D_)	1.6 VTi	85	11/10 -
508 I (8D_)	1.6 VTi	88	11/10 -
508 I (8D_)	2.0 BlueHDi 150	110	04/14 -
508 I (8D_)	2.0 BlueHDi 180	133	04/14 -
508 I (8D_)	2.0 HDi	100	11/10 -
508 I (8D_)	2.0 HDi	103	11/10 -
508 I (8D_)	2.0 HDi	120	11/10 -
508 I (8D_)	2.0 HDi Hybrid4 AWC	120	11/10 -
508 I (8D_)	2.0 HDi Hybrid4 AWC	147	11/10 -
508 I (8D_)	2.2 HDi	150	11/10 -
508 SWBox Body / Estate (8E_)	1.6 HDi	84	03/13 -
508 SWI (8E_)	1.6	121	02/12 -
508 SWI (8E_)	1.6 HDi	84	02/12 -
508 SWI (8E_)	1.6 HDi	85	09/14 -
508 SWI (8E_)	1.6 HDi	82	11/10 -
508 SWI (8E_)	1.6 THP	110	11/10 -
508 SWI (8E_)	1.6 THP	115	11/10 -
508 SWI (8E_)	1.6 VTi	85	11/10 -
508 SWI (8E_)	1.6 VTi	88	11/10 -
508 SWI (8E_)	2.0 BlueHDi 150	110	04/14 -
508 SWI (8E_)	2.0 BlueHDi 180	133	04/14 -
508 SWI (8E_)	2.0 HDi	100	11/10 -
508 SWI (8E_)	2.0 HDi	103	11/10 -
508 SWI (8E_)	2.0 HDi	120	11/10 -

508 SWI (8E_)	2.0 HDi 180 RXH	133	10/14 -
508 SWI (8E_)	2.0 HDi RXH Hybrid4	120	11/10 -
508 SWI (8E_)	2.2 HDi	150	11/10 -

### PEUGEOT (DF-PSA)

Modell	Typ	kW	År
508 Saloon	1.6 THP	123	01/15 -
508 Saloon	1.8 THP	150	01/15 -
508 Saloon	2.0	108	07/11 12/17
508 Saloon	2.3	126	07/11 12/15

### OE-nummer

#### Kompatibla OE-nummer

CITROËN	1609253180
CITROËN	1610103880
CITROËN	1617283280
CITROËN	1619790280
CITROËN	425403
CITROËN	425424
CITROËN	4254A7
CITROËN	E172294
PEUGEOT	1609253180
PEUGEOT	1610103780
PEUGEOT	1619790280
PEUGEOT	425403
PEUGEOT	425424
PEUGEOT	4254A7
PEUGEOT	E172294