

Tekniska data för bromsbelägg

Axel
Fram

WVA
25069, 25070

Bredd
179,9 mm

Tjocklek
17 mm

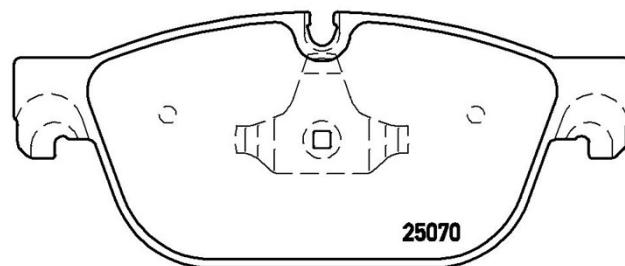
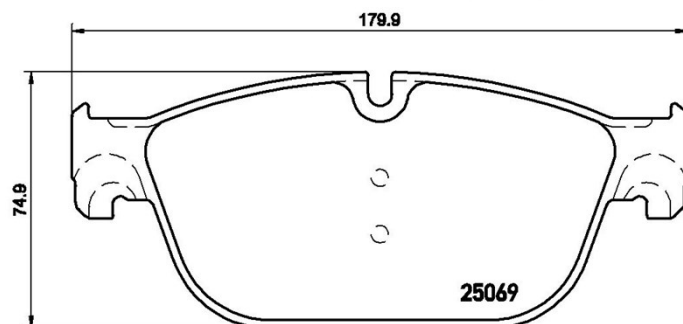
Höjd
74,9 mm

Bromssystem
Teves

Funktioner
Med kolvklämma

Slitageindikator
Förberedd

EAN-kod
8020584109878



Kompatibla fordon

CITROËN				
Modell	Typ	kW	År	
C5 III (RD_)	2.0 HDi 180	133	03/15 -	
C5 III (RD_)	3.0 HDi 240	177	04/09 -	
C5 III Break (RW_)	2.0 HDi 180	133	03/15 -	
C5 III Break (RW_)	3.0 HDi 240	177	04/09 -	
C6 (TD_)	3.0 HDi	177	04/09 12/12	
DS4	2.0 BlueHDi 150	110	07/14 07/15	
DS4	2.0 BlueHDi 180	133	07/14 07/15	
DS4	2.0 HDi / BlueHDi 135	100	09/11 07/15	

DS4	2.0 HDi 165	120	04/11 07/15
DS5	1.6 BlueHDi 120	88	07/14 07/15
DS5	1.6 HDi	85	11/13 07/15
DS5	1.6 HDi 115	84	06/12 07/15
DS5	1.6 THP 150	110	11/11 07/15
DS5	1.6 THP 165	121	01/12 07/15
DS5	1.6 THP 165 Hybrid	121	06/12 07/15
DS5	2.0 BlueHDi 150	110	07/14 07/15
DS5	2.0 BlueHDi 180	133	08/13 07/15
DS5	2.0 HDi 135	100	11/11 07/15
DS5	2.0 HDi 200 Hybrid4 All-wheel Drive	147	12/11 07/15

DS

Modell	Typ	kW	År
DS 4 / DS 4 CROSSBACK	1.6 THP 210	155	07/15 -
DS 4 / DS 4 CROSSBACK	2.0 BlueHDi 180	133	07/15 -
DS 5	1.6 BlueHDi 115	85	06/15 -
DS 5	1.6 BlueHDi 120	88	06/15 -
DS 5	1.6 THP 165	121	07/15 -
DS 5	1.6 THP 210	155	04/15 -
DS 5	2.0 BlueHDi 150	110	04/15 -
DS 5	2.0 BlueHDi 180	133	04/15 -
DS 5	2.0 Hybrid4	147	04/15 -
DS 5	2.0 Hybrid4 4x4	120	04/15 -

DS (CAPSA)

Modell	Typ	kW	År
DS 5 Hatchback	1.6 THP 160	120	09/13 -
DS 5 Hatchback	1.6 THP 200	147	09/13 12/15

PEUGEOT

Modell	Typ	kW	År
308 CC (4B_)	1.6 THP	147	10/10 12/14
508 I (8D_)	1.6 BlueHDi 120	88	03/14 -
508 I (8D_)	1.6 HDi	84	02/12 -

508 I (8D_)	1.6 HDi	85	09/14 -
508 I (8D_)	1.6 HDi	82	11/10 -
508 I (8D_)	1.6 THP	120	01/12 -
508 I (8D_)	1.6 THP	121	09/11 -
508 I (8D_)	1.6 THP	110	11/10 -
508 I (8D_)	1.6 THP	115	11/10 -
508 I (8D_)	1.6 VTi	85	11/10 -
508 I (8D_)	1.6 VTi	88	11/10 -
508 I (8D_)	2.0 BlueHDi 150	110	04/14 -
508 I (8D_)	2.0 BlueHDi 180	133	04/14 -
508 I (8D_)	2.0 HDi	100	11/10 -
508 I (8D_)	2.0 HDi	103	11/10 -
508 I (8D_)	2.0 HDi	120	11/10 -
508 I (8D_)	2.0 HDi Hybrid4 AWC	120	11/10 -
508 I (8D_)	2.0 HDi Hybrid4 AWC	147	11/10 -
508 I (8D_)	2.2 HDi	150	11/10 -
508 SWBox Body / Estate (8E_)	1.6 HDi	84	03/13 -
508 SWI (8E_)	1.6	121	02/12 -
508 SWI (8E_)	1.6 BlueHDi 120	88	03/14 -
508 SWI (8E_)	1.6 HDi	84	02/12 -
508 SWI (8E_)	1.6 HDi	85	09/14 -
508 SWI (8E_)	1.6 HDi	82	11/10 -
508 SWI (8E_)	1.6 THP	110	11/10 -
508 SWI (8E_)	1.6 THP	115	11/10 -
508 SWI (8E_)	1.6 VTi	85	11/10 -
508 SWI (8E_)	1.6 VTi	88	11/10 -
508 SWI (8E_)	2.0 BlueHDi 150	110	04/14 -
508 SWI (8E_)	2.0 BlueHDi 180	133	04/14 -
508 SWI (8E_)	2.0 HDi	100	11/10 -
508 SWI (8E_)	2.0 HDi	103	11/10 -
508 SWI (8E_)	2.0 HDi	120	11/10 -

508 SWI (8E_)	2.0 HDi 180 RXH	133	10/14 -
508 SWI (8E_)	2.0 HDi RXH Hybrid4	120	11/10 -
508 SWI (8E_)	2.2 HDi	150	11/10 -
RCZ	1.6 16V	150	06/10 12/15
RCZ	1.6 16V	147	06/10 12/15

PEUGEOT (DF-PSA)

Modell	Typ	kW	År
508 Saloon	1.6 THP	123	01/15 -
508 Saloon	1.8 THP	150	01/15 -

OE-nummer

Kompatibla OE-nummer

CITROËN	1610104080
CITROËN	1611839380
CITROËN	1617272580
DS	1610104080
DS	1617272580
PEUGEOT	1610104080
PEUGEOT	1611839380
PEUGEOT	1617272580