

## Tekniska data för bromsbeläggen

**Axel**  
Bak

**WVA**  
21786, 21787

**Bredd**  
122 mm

**Tjocklek**  
15,5 mm

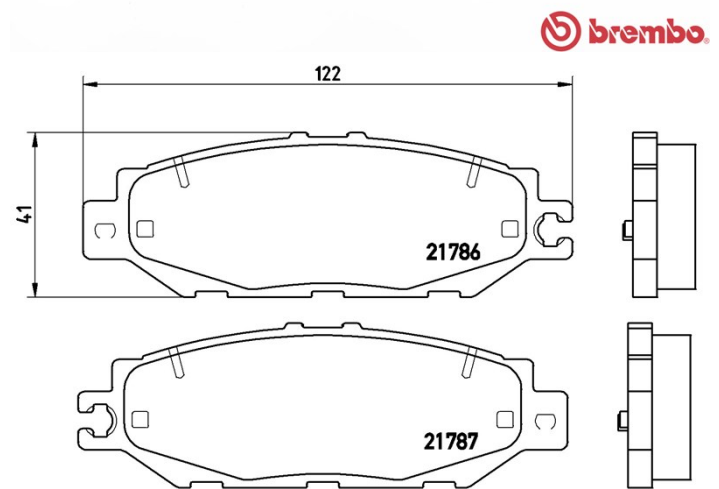
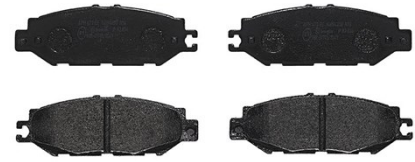
**Höjd**  
41 mm

**Bromssystem**  
Sumitomo

**Funktioner**

**Slitageindikator**  
Förberedd

**EAN-kod**  
8020584057711



## Kompatibla fordon

### LEXUS

Modell	Typ	kW	År
LS (_F1_)	400 (UCF10)	180	12/89 12/95
LS (_F2_)	400 (UCF20_)	209	09/97 10/00
LS (_F2_)	400 (UCF20_)	203	09/98 10/00
LS (_F2_)	400 (UCF20_)	216	10/97 12/00
LS (_F2_)	400 (UCF20_)	194	12/94 08/97

### TOYOTA

Modell	Typ	kW	År
CELSIOR (UCF2_)	4.0	194	05/93 09/96
CENTURY (_G5_)	5.0	206	04/97 12/16
GRANVIA (_H2_, _H1_)	2.7 (RCH11W_)	107	08/95 09/98
GRANVIA (_H2_, _H1_)	3.0 TDi	96	08/95 12/04

GRANVIA (_H2_, _H1_)	3.4 (VCH10, VCH16W_, VCH26W_)	140	08/95 12/04
GRANVIA (_H2_, _H1_)	3.4 4x4 (VCH16)	140	08/97 12/04

## OE-nummer

### Kompatibla OE-nummer

LEXUS	0446650030
LEXUS	0446650060
LEXUS	0449250030
NISSAN	AY060TY012
TOYOTA	0446626010
TOYOTA	0446626020
TOYOTA	0446640040
TOYOTA	0446650020
TOYOTA	0446650030
TOYOTA	0446650050
TOYOTA	0446650051
TOYOTA	0446650060
TOYOTA	0446650080
TOYOTA	0446650110
TOYOTA	0449250050
TOYOTA	0449250051
TOYOTA	0449250070
TOYOTA	0449250071
TOYOTA	0449250080