

## Tekniska data för bromsbeläggen

**Axel**  
Bak

**WVA**  
23521, 23522, 23523

**Bredd**  
78,7 mm

**Tjocklek**  
14 mm

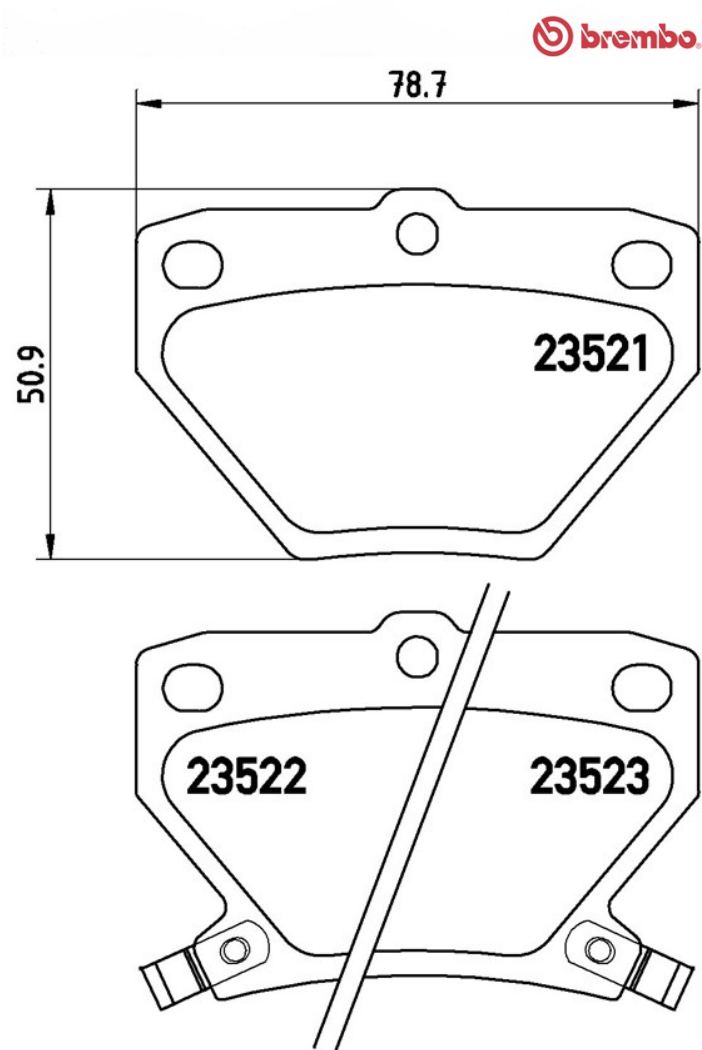
**Höjd**  
50,9 - 54,2 mm

**Bromssystem**  
Sumitomo

**Funktioner**

**Slitageindikator**  
Akustisk

**EAN-kod**  
8020584057872



## Kompatibla fordon

### TOYOTA

Modell	Typ	kW	År
CELICA Coupe (_T23_)	1.8 16V TS (ZZT231_)	141	08/99 09/05
CELICA Coupe (_T23_)	1.8 16V VT-i (ZZT230_)	105	08/99 07/05
COROLLA (_E11_)	2.0 D-4D (CDE110)	81	08/00 10/01

COROLLA (_E12_)	1.4 VVT-i (ZZE120_)	71	11/01 02/07
COROLLA (_E12_)	1.6 VVT-i (ZZE121_)	81	01/02 12/06
COROLLA (_E12_)	1.8 4WD (ZZE124, ZZE121, ZZE123, ZZE122)	100	01/01 02/07
COROLLA (_E12_)	1.8 VVTi (ZZE122_)	100	01/01 12/07
COROLLA (_E12_)	1.8 VVTL-i TS (ZZE123)	141	01/02 02/07
COROLLA (_E12_)	1.8 VVTL-i TS (ZZE123_)	165	02/05 02/07
COROLLA (_E12_)	1.8 VVTL-i TS (ZZE123_)	160	10/05 12/06
COROLLA (_E12_)	2.0 D-4D (CDE120_)	66	01/02 12/06
COROLLA Estate (_E11_)	2.0 D-4D	81	08/00 10/01
COROLLA Estate (_E12_)	1.4 VVT-i (ZZE120_)	71	01/02 02/07
COROLLA Estate (_E12_)	1.6 VVT-i (ZZE121_)	81	01/02 08/07
COROLLA Estate (_E12_)	1.8 (ZZE122)	100	12/01 12/07
COROLLA Estate (_E12_)	1.8 4WD (ZZE121)	100	12/01 02/07
COROLLA Estate (_E12_)	2.0 D-4D (CDE120_)	66	01/02 02/07
COROLLA Estate (_E12_)	2.0 D-4D (CDE120_)	85	04/04 02/07
COROLLA Saloon (_E12_)	1.4 VVT-i (ZZE120_)	71	10/01 10/06
COROLLA Saloon (_E12_)	1.8 (ZZE120)	92	05/02 05/04
COROLLA Saloon (_E12_)	1.8 (ZZE122)	96	03/01 07/05
COROLLA Saloon (_E12_)	1.8 (ZZE122)	100	11/01 10/06
COROLLA Saloon (_E12_)	2.0 D-4D (CDE120_)	66	01/02 12/06
COROLLA Verso (_E12_)	1.6 VVT-i (ZZE121_)	81	08/01 05/04
COROLLA Verso (_E12_)	1.8	92	09/01 05/04
COROLLA Verso (_E12_)	1.8 VVT-i (ZZE122_)	99	12/01 05/04
COROLLA Verso (_E12_)	2.0 D-4D (CDE120_)	66	01/02 05/04
IST (NCP6_)	1.5 VVTi (NCP60_, NCP61_)	80	05/04 07/07
MATRIX (_E13_)	1.8 4WD (ZZE13_)	91	01/02 02/04
MATRIX (_E13_)	1.8 VVTi	96	01/02 02/04
PRIUS Hatchback (_W2_)	1.5 Hybrid (NHW20_)	57	09/03 12/09
PRIUS Saloon (_W1_)	1.5 Hybrid (NHW1_)	53	05/00 01/04
YARIS (_P1_)	1.0 (SCP10_)	48	03/03 09/05
YARIS (_P1_)	1.0 (SCP10_)	50	04/99 09/05

YARIS (_P1_)	1.3 (NCP10_, SCP12_)	63	11/99 10/05
YARIS (_P1_)	1.3 (SCP12_, NCP10_, SCP13_)	64	04/02 09/05
YARIS (_P1_)	1.4 D-4D (NLP10_)	55	10/01 09/05
YARIS (_P1_)	1.5 (NCP13_)	77	01/03 11/05
YARIS (_P1_)	1.5 (NCP13_)	110	03/00 07/05
YARIS (_P1_)	1.5 (NCP13_)	78	04/01 09/05
YARIS VERSO (_P2_)	1.3 (NCP20_, NCP22_)	63	08/99 10/02
YARIS VERSO (_P2_)	1.3 (NCP20_, NCP22_)	62	11/02 09/05
YARIS VERSO (_P2_)	1.4 D-4D (NLP20_, NLP22_)	55	09/00 09/05
YARIS VERSO (_P2_)	1.5 (NCP21)	81	01/00 07/02
YARIS VERSO (_P2_)	1.5 (NCP21)	80	08/02 09/05
YARIS VERSO (_P2_)	1.5 (NCP21_)	77	03/00 09/05
YARIS VERSO (_P2_)	1.5 (NCP21_)	78	03/00 09/05
YARIS VERSO (_P2_)	1.5 4WD (NCP21_)	78	03/00 09/05
YARIS VERSO VAN Box (_P2_)	1.3 VVTi (NCP22_)	63	03/00 09/05
YARIS VERSO VAN Box (_P2_)	1.3 VVTi (NCP22_)	62	04/03 09/05
YARIS VERSO VAN Box (_P2_)	1.4 D4d (NLP22_)	55	10/01 09/05

## TOYOTA (FAW)

Modell	Typ	kW	År
COROLLA (E122)	1.8	93	02/04 01/07
VIOS (P40)	1.3 (AXP41)	64	11/02 10/05
VIOS (P40)	1.3 (SCP41)	64	10/05 02/08
VIOS (P40)	1.5 (AXP42)	68	11/02 02/08
VIOS (P40)	1.5 (SCP42)	75	10/05 02/08
VIOS (P90)	1.3 (NCP92)	63	10/08 05/13
VIOS (P90)	1.6 (ZSP92)	87	10/08 05/13

## OE-nummer

### Kompatibla OE-nummer

TOYOTA	0446620090
TOYOTA	0446652010
TOYOTA	0446652020

TOYOTA	0446652030
--------	------------

---

TOYOTA	0446652040
--------	------------

---

TOYOTA	0446652050
--------	------------

---

TOYOTA	0446652060
--------	------------

---

TOYOTA	0446652090
--------	------------

---

TOYOTA	04466YZZD5
--------	------------

---