

Tekniska data för bromsbeläggen

Axel
Fram

WVA
24122, 24590, 24591

Bredd
136,8 mm

Tjocklek
19,2 mm

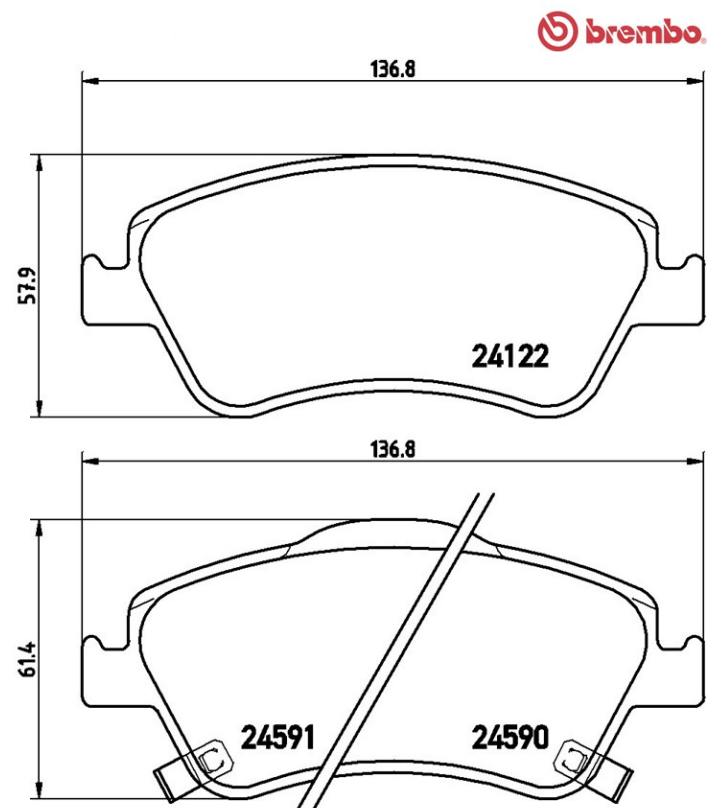
Höjd
57,9 - 61,4 mm

Bromssystem
Bosch

Funktioner

Slitageindikator
Akustisk

EAN-kod
8020584062173



Kompatibla fordon

TOYOTA

Modell	Typ	kW	År
AURIS (_E15_)	1.33 Dual-VVTi (NRE150_)	73	01/10 09/12
AURIS (_E15_)	1.33 Dual-VVTi (NRE150_)	74	05/09 09/12
AURIS (_E15_)	1.4 (ZZE150_)	71	03/07 09/12
AURIS (_E15_)	1.4 D-4D (NDE150_)	66	03/07 09/12
AURIS (_E15_)	1.6 (ZRE151_)	97	05/09 09/12
AURIS (_E15_)	1.6 (ZRE151_)	91	03/07 09/12

AURIS (_E15_)	1.8 (ZRE152_)	108	02/09 09/12
AURIS (_E15_)	1.8 (ZRE152_, ZZE122)	100	10/06 09/12
AURIS (_E15_)	1.8 Hybrid (ZWE150_)	73	09/10 09/12
COROLLA Saloon (_E15_)	1.33 (NRE150)	74	12/08 07/14
COROLLA Saloon (_E15_)	1.4 D-4D (NDE150)	66	10/06 07/14
COROLLA Saloon (_E15_)	1.4 VVT-i (ZZE150_)	71	11/06 11/13
COROLLA Saloon (_E15_)	1.6 (ZRE151)	97	11/06 11/13
COROLLA Saloon (_E15_)	1.6 Dual VVTi (ZRE141, ZRE151)	91	01/07 07/14
COROLLA Saloon (_E15_)	1.8 (ZZE142_)	97	12/07 07/14
COROLLA Saloon (_E15_)	1.8 VVTi (ZZE142)	101	10/06 12/08

OE-nummer

Kompatibla OE-nummer

TOYOTA	0446502160
TOYOTA	0446502200
TOYOTA	0446502210
TOYOTA	0446502260
TOYOTA	0446502270
TOYOTA	0446502330
TOYOTA	0446502340
TOYOTA	0446502370
TOYOTA	04465YZZEC