

Tekniska data för bromsbeläggen

Axel
Fram

WVA
23032, 23033, 23505, 23506

Bredd
126,8 - 128,3 mm

Tjocklek
15,5 mm

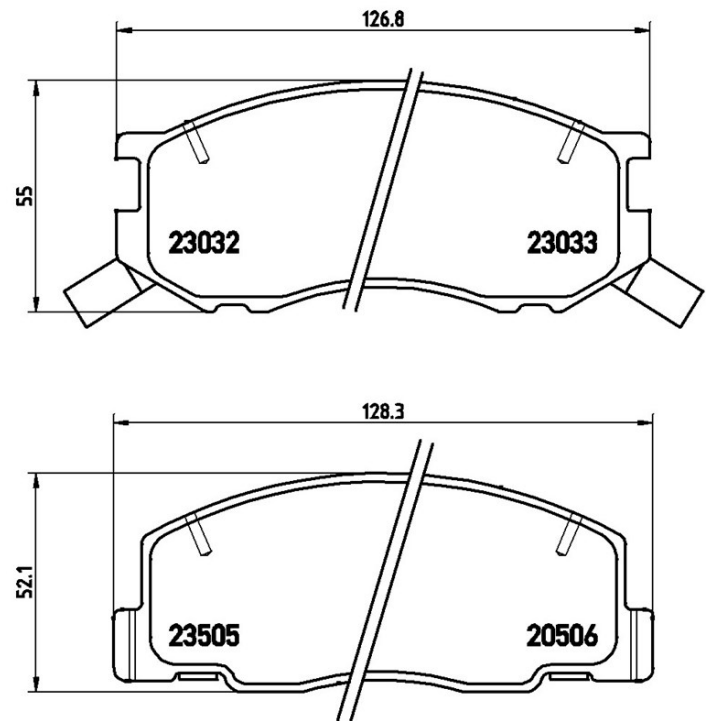
Höjd
52,1 - 55 mm

Bromssystem
Akebono

Funktioner

Slitageindikator
Akustisk

EAN-kod
8020584062319



Kompatibla fordon

TOYOTA

| Modell | Typ | kW | År |
|---------------------|--------------------------|-----|-------------|
| LITEACE Bus | 2.0 | 101 | 10/97 08/01 |
| PREVIA (_R1_, _R2_) | 2.4 (TCR11_, TCR10_) | 97 | 05/90 08/00 |
| PREVIA (_R1_, _R2_) | 2.4 4WD (TCR20_) | 110 | 05/90 12/99 |
| PREVIA (_R1_, _R2_) | 2.4 4WD (TCR21_, TCR20_) | 97 | 01/90 08/00 |

OE-nummer

Kompatibla OE-nummer

DAIHATSU

0446528340

| | |
|----------|------------|
| DAIHATSU | 0446528360 |
| DAIHATSU | 0446528370 |
| DAIHATSU | 0446528380 |
| DAIHATSU | 0446528381 |
| DAIHATSU | 0446528390 |
| DAIHATSU | 0446528420 |
| TOYOTA | 044650B030 |
| TOYOTA | 044650B060 |
| TOYOTA | 0446528340 |
| TOYOTA | 0446528350 |
| TOYOTA | 0446528351 |
| TOYOTA | 0446528360 |
| TOYOTA | 0446528370 |
| TOYOTA | 0446528380 |
| TOYOTA | 0446528381 |
| TOYOTA | 0446528390 |
| TOYOTA | 0446528420 |
| TOYOTA | 0446528470 |
| TOYOTA | 04465YZZCH |