

Tekniska data för bromsbelägg

Axel
Fram

WVA
24024, 24025, 24026

Bredd
134,5 mm

Tjocklek
17 mm

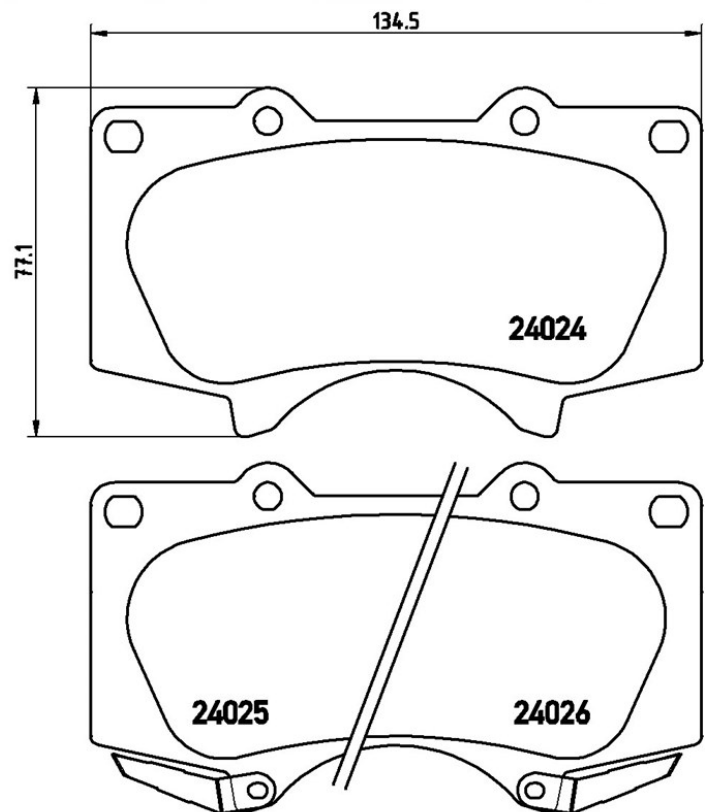
Höjd
77,05 mm

Bromssystem
Sumitomo

Funktioner

Slitageindikator
Akustisk

EAN-kod
8020584062401



Kompatibla fordon

LEXUS

Modell	Typ	kW	År
GX (URJ15_)	400 4WD (URJ150)	202	05/12 -
GX (URJ15_)	460 4WD (URJ150)	218	01/10 -
GX (URJ15_)	460 4WD (URJ150)	225	01/10 -
LX (_J2_)	570 (URJ201)	270	11/07 -
LX (_J2_)	570 (URJ201)	282	11/07 -

TOYOTA

Modell	Typ	kW	År
4 RUNNER (_N28_)	2.7 (TRN280_)	116	01/10 -
4 RUNNER (_N28_)	4.0 (GRN280_)	202	01/10 -
4 RUNNER (_N28_)	4.0 4WD (GRN285_)	201	01/10 -
FORTUNER (_N15_, _N16_)	2.4 D 4WD (GUN155_)	108	01/16 -
FORTUNER (_N15_, _N16_)	2.7 (TGN166_, TGN168_)	120	01/16 -
FORTUNER (_N15_, _N16_)	2.7 (TGN166_, TGN168_)	122	05/15 -
FORTUNER (_N15_, _N16_)	2.7 4x4 (TGN156_)	122	05/15 -
FORTUNER (_N15_, _N16_)	2.8 D 4x4 (GUN156)	130	05/15 -
HILUX VIII Pickup (_N1_)	2.0 (TGN110_, TGN120_)	102	08/15 -
HILUX VIII Pickup (_N1_)	2.4 D (GUN112_, GUN122_, GUN135_)	108	05/15 -
HILUX VIII Pickup (_N1_)	2.4 D (GUN112_, GUN122_, GUN135_)	110	05/15 -
HILUX VIII Pickup (_N1_)	2.4 D 4WD (GUN125_)	108	05/15 -
HILUX VIII Pickup (_N1_)	2.4 D 4WD (GUN125_)	110	05/15 -
HILUX VIII Pickup (_N1_)	2.5 D (KUN112_, KUN122_, KUN135_)	74	08/15 -
HILUX VIII Pickup (_N1_)	2.7 (TGN111_, TGN121_, TGN136_)	122	05/15 -
HILUX VIII Pickup (_N1_)	2.7 4WD (TGN126_)	121	05/15 -
HILUX VIII Pickup (_N1_)	2.8 D (GUN123_, GUN136_)	125	07/15 -
HILUX VIII Pickup (_N1_)	2.8 D (GUN123_, GUN136_)	130	05/15 -
HILUX VIII Pickup (_N1_)	2.8 D 4WD (GUN126_)	130	05/15 -
HILUX VIII Pickup (_N1_)	4.0 4WD (GGN125_)	175	07/15 -
HILUX VIII Platform/Chassis (_N1_)	2.4 D (GUN112_, GUN122_)	110	07/15 -
HILUX VIII Platform/Chassis (_N1_)	2.4 D 4WD (GUN125_)	110	07/15 -
HILUX VIII Platform/Chassis (_N1_)	2.8 D (GUN123_)	125	07/15 -
HILUX VIII Platform/Chassis (_N1_)	2.8 D 4WD (GUN126_)	130	07/15 -
LAND CRUISER PRADO (_J12_)	4.0 (GRJ120, GRJ125)	183	12/02 12/10
LAND CRUISER PRADO (_J15_)	2.7 (TRJ150_, TRJ155_)	120	08/09 -
LAND CRUISER PRADO (_J15_)	2.8 D 4D (GDJ150_, GDJ155_)	130	06/15 -
LAND CRUISER PRADO (_J15_)	3.0 D (LJ150_)	70	07/09 -

LAND CRUISER PRADO (_J15_)	3.0 D-4D (KDJ150_)	127	08/09 -
LAND CRUISER PRADO (_J15_)	3.0 D-4D (KDJ155_, KDJ150_)	140	10/10 -
LAND CRUISER PRADO (_J15_)	3.0 TDi (KDJ150_)	120	08/09 -
LAND CRUISER PRADO (_J15_)	3.5 (GRJ152_)	206	09/15 -
LAND CRUISER PRADO (_J15_)	4.0 V6 Dual VVTi (GRJ150_)	205	08/09 -
LAND CRUISER PRADO (_J15_)	4.0 V6 VVT (GRJ150_)	204	08/13 -
LAND CRUISER PRADO (_J15_)	4.0 V6 VVTi (GRJ150)	202	08/09 -
LAND CRUISER PRADO (_J15_)	4.0 V6 VVTi (GRJ150_)	203	01/10 -
LAND CRUISER PRADO (_J15_)	4.0 V6 VVTi (GRJ150_)	183	11/12 -
LAND CRUISER PRADO (_J15_)	4.0 V6 VVT-i (GRJ150_, GRJ125_)	207	08/09 -
TACOMA Pickup (_N3_)	3.5 (GRN325_, GRN330_)	207	08/15 -
TACOMA Pickup (_N3_)	3.5 4WD (GRN305_)	207	08/15 -

TOYOTA (FAW)

Modell	Typ	kW	År
LAND CRUISER PRADO (J15)	2.7 All-wheel Drive (TRJ150, TRJ152)	120	09/15 -
LAND CRUISER PRADO (J15)	3.5 All-wheel Drive (GRJ152)	206	09/15 -

OE-nummer

Kompatibla OE-nummer

TOYOTA	0446504090
TOYOTA	044650K280
TOYOTA	044650K360
TOYOTA	044650K370
TOYOTA	044650K390
TOYOTA	0446535290
TOYOTA	0446560320