

# Bromsbelägg P 83 103



## Tekniska data för bromsbelägen

**Axel**  
Fram

**WVA**  
23904, 23905, 23906, 23907

**Bredd**  
116,6 mm

**Tjocklek**  
16,6 mm

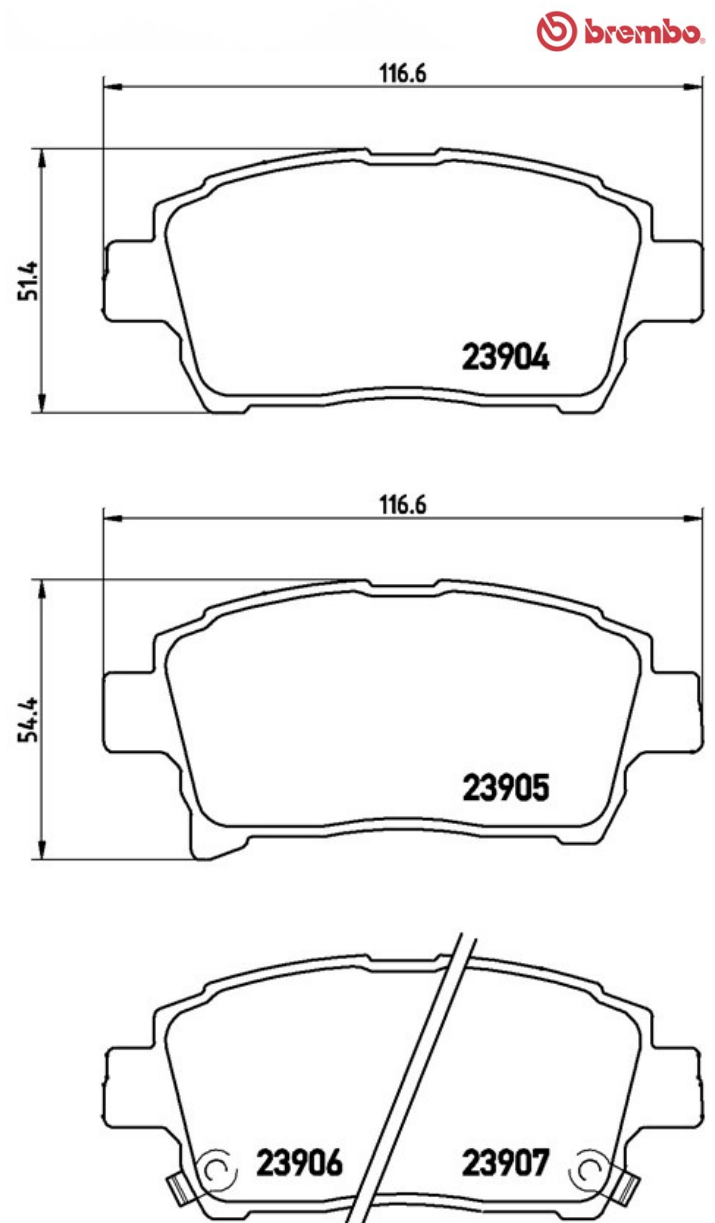
**Höjd**  
51,4 - 54,4 mm

**Bromssystem**  
Akebono

**Funktioner**

**Slitageindikator**  
Akustisk

**EAN-kod**  
8020584090893



## Kompatibla fordon

BYD

Modell

Typ

kW

År

F3 Saloon	1.5	78	09/07 12/12
F3 Saloon	1.5	79	09/08 12/12
F3 Saloon	1.6	74	09/05 12/13
F3 Saloon	1.8	90	05/07 12/08
F3 Saloon	DM 1.0	50	01/09 -
F3R Hatchback	1.5	78	04/07 08/09
F3R Hatchback	1.6	74	09/07 -

### FAW (TIANJIN)

Modell	Typ	kW	År
VELA	1.3	63	03/04 12/06
VELA	1.5	66	07/02 12/10
VIZI	1.0	51	07/02 12/06
VIZI	1.3	63	01/03 12/09
WEIZHI Hatchback	1.4	65	01/07 04/18

### GEELY

Modell	Typ	kW	År
CK Saloon	1.3	63	09/05 -
CK Saloon	1.5	69	09/05 -
CK Saloon	1.6	79	09/05 -
KINGKONG	1.3	63	05/06 -
KINGKONG	1.5	69	05/06 -
KINGKONG	1.6	79	05/06 -
KINGKONG	1.8	83	05/06 -
KINGKONG	1.8	101	06/05 -
VISION	1.5	102	05/09 12/13
VISION	1.8	102	08/06 12/12
VISION	1.8	101	12/05 -

### GREAT WALL

Modell	Typ	kW	År
COOLBEAR MPV	1.5	77	03/09 12/13
FLORID	1.3	68	05/09 12/12
FLORID	1.3	65	09/08 12/10

FLORID	1.5	77	02/09 12/12
FLORID CROSS	1.3	68	10/09 12/14
FLORID CROSS	1.5	77	08/09 12/14
HOVER M1	1.3	68	09/09 12/13
HOVER M1	1.3 All-wheel Drive	68	09/09 12/13
HOVER M2	1.5	77	03/10 12/14
HOVER M2	1.5 All-wheel Drive	77	03/10 12/12
PERI	1.3	65	03/08 01/10
<b>LIFAN</b>			
Modell	Typ	kW	År
620 Saloon	1.6	85	11/08 12/10
<b>TOYOTA</b>			
Modell	Typ	kW	År
ALLION I (_T24_)	1.5 (N2T240)	80	06/01 04/05
ALLION I (_T24_)	1.8 (ZZT240)	97	06/01 04/05
ALLION I (_T24_)	1.8 (ZZT250)	100	06/01 06/07
ALLION I (_T24_)	1.8 4WD (ZZT241)	97	06/01 06/07
ALLION I (_T24_)	1.8 4WD (ZZT251)	100	06/01 04/07
bB I (NCP3_)	1.3 (NCP30_)	57	01/00 11/05
bB I (NCP3_)	1.3 (NCP30_)	64	01/00 11/05
COROLLA (_E12_)	1.4 VVT-i (ZZE120_)	71	11/01 02/07
COROLLA (_E12_)	1.6 VVT-i (ZZE121_)	81	01/02 12/06
COROLLA (_E12_)	1.8 VVT-i TS (ZZE123)	141	01/02 02/07
COROLLA Saloon (_E12_)	1.3 (NZE120_, ZZE120_)	65	08/00 05/04
COROLLA Saloon (_E12_)	1.5 (NZE141)	81	06/07 07/07
COROLLA Saloon (_E12_)	1.5 (ZZA120_, ZZE123_)	80	11/01 07/07
COROLLA Saloon (_E12_)	1.5 G 4WD (ZZE128)	80	11/01 05/04
MR 2 III (ZZW3_)	1.8 16V VT-i (ZZW30)	103	10/99 06/07
OPA (ZCT1_, ACT1_)	1.8 (ZTC10)	100	04/00 08/03
OPA (ZCT1_, ACT1_)	1.8 4WD (ZTC15)	92	04/00 08/03
OPA (ZCT1_, ACT1_)	2.0 (ACT10)	112	08/00 04/05
PREMIO (_T24_)	1.5 (N2T240_)	80	12/01 05/07

PRIUS Hatchback (_W2_)	1.5 Hybrid (NHW20_)	57	09/03 12/09
VIOS / SOLUNA VIOS (_P4_)	1.5 (AXP42_, NCP42_)	68	07/02 01/08
VIOS / SOLUNA VIOS (_P4_)	1.5 VVTi (NCP42_)	68	10/02 10/06
VIOS / SOLUNA VIOS (_P4_)	1.5 VVTi (NCP42_)	80	10/02 10/06
WILL Vi (NCP19_)	1.3	64	01/00 12/01

## TOYOTA (FAW)

Modell	Typ	kW	År
COROLLA (E122)	1.8	93	02/04 01/07
PRIUS Hatchback	1.5 (NHW20)	57	01/06 12/09
PRIUS Hatchback (W30)	1.8 Hybrid (ZVW30)	73	02/12 -
VIOS (P40)	1.3 (AXP41)	64	11/02 10/05
VIOS (P40)	1.3 (SCP41)	64	10/05 02/08
VIOS (P40)	1.5 (AXP42)	68	11/02 02/08
VIOS (P40)	1.5 (SCP42)	75	10/05 02/08

## OE-nummer

### Kompatibla OE-nummer

TOYOTA	044650D020
TOYOTA	044650D030
TOYOTA	044650W080
TOYOTA	0446512581
TOYOTA	0446517102
TOYOTA	0446532230
TOYOTA	0446552100