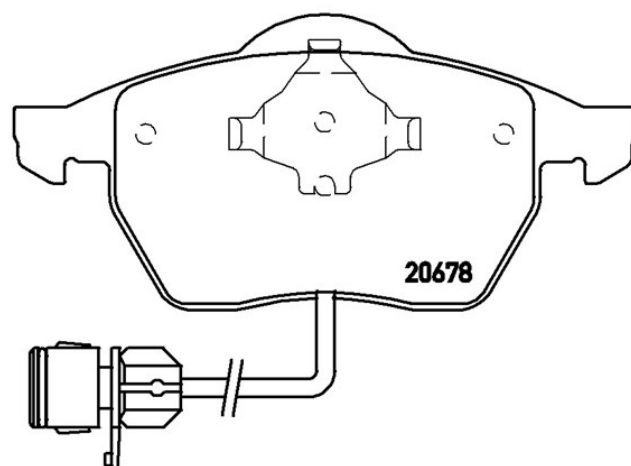
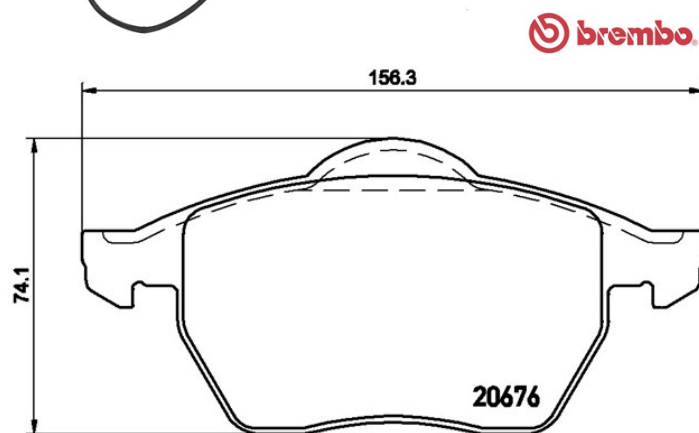


Tekniska data för bromsbelägg

Axel Fram	WVA 20676, 20678
Bredd 156,3 mm	Tjocklek 19,6 mm
Höjd 74,1 mm	Bromssystem Teves
Funktioner	Slitageindikator Elektrisk
EAN-kod 8020584058299	



Kompatibla fordon

AUDI

Modell	Typ	kW	År
100 (4A2, C4)	2.0	74	12/90 07/94
100 (4A2, C4)	2.0 E	85	12/90 07/94
100 (4A2, C4)	2.0 E 16V	103	01/92 07/94
100 (4A2, C4)	2.0 E 16V quattro	103	07/92 07/94

100 (4A2, C4)	2.0 E quattro	85	12/90 07/92
100 (4A2, C4)	2.3 E	98	12/90 07/94
100 (4A2, C4)	2.3 E quattro	98	12/90 07/94
100 (4A2, C4)	2.4 D	60	12/90 07/94
100 (4A2, C4)	2.5 TDI	85	12/90 07/94
100 (4A2, C4)	2.6	110	03/92 07/94
100 (4A2, C4)	2.6	102	07/93 07/94
100 (4A2, C4)	2.6 quattro	110	04/92 07/94
100 (4A2, C4)	2.8 E	128	12/90 07/94
100 (4A2, C4)	2.8 E quattro	128	12/90 07/94
100 Avant (4A5, C4)	2.0 E	74	09/91 07/94
100 Avant (4A5, C4)	2.0 E	85	09/91 07/94
100 Avant (4A5, C4)	2.0 E 16V	103	07/92 07/94
100 Avant (4A5, C4)	2.0 E 16V quattro	103	07/92 07/94
100 Avant (4A5, C4)	2.0 E quattro	85	12/90 07/92
100 Avant (4A5, C4)	2.3 E	98	09/91 07/94
100 Avant (4A5, C4)	2.3 E quattro	98	09/91 07/94
100 Avant (4A5, C4)	2.4 D	60	12/90 07/94
100 Avant (4A5, C4)	2.5 TDI	85	12/90 07/94
100 Avant (4A5, C4)	2.6	110	03/92 07/94
100 Avant (4A5, C4)	2.6	102	07/93 07/94
100 Avant (4A5, C4)	2.6 E quattro	102	08/93 07/94
100 Avant (4A5, C4)	2.6 quattro	110	07/92 07/94
100 Avant (4A5, C4)	2.8 E	128	09/91 07/94
100 Avant (4A5, C4)	2.8 E quattro	128	09/91 07/94
A6 (4A2, C4)	1.8	92	12/95 10/97
A6 (4A2, C4)	1.8 quattro	92	12/95 10/97
A6 (4A2, C4)	1.9 TDI	66	06/94 10/97
A6 (4A2, C4)	2.0	79	06/94 07/95
A6 (4A2, C4)	2.0	74	06/94 10/97
A6 (4A2, C4)	2.0	85	06/94 10/97

A6 (4A2, C4)	2.0 16V	103	06/94 10/97
A6 (4A2, C4)	2.0 16V quattro	103	06/94 10/97
A6 (4A2, C4)	2.3	98	06/94 12/95
A6 (4A2, C4)	2.3 quattro	98	06/94 12/95
A6 (4A2, C4)	2.4	110	07/95 06/96
A6 (4A2, C4)	2.5 TDI	84	01/95 10/97
A6 (4A2, C4)	2.5 TDI	85	06/94 10/97
A6 (4A2, C4)	2.5 TDI	103	08/94 10/97
A6 (4A2, C4)	2.5 TDI quattro	103	10/95 10/97
A6 (4A2, C4)	2.6	102	06/94 10/97
A6 (4A2, C4)	2.6	110	06/94 10/97
A6 (4A2, C4)	2.6 quattro	110	06/94 10/97
A6 (4A2, C4)	2.8	128	06/94 10/97
A6 (4A2, C4)	2.8	120	08/95 07/96
A6 (4A2, C4)	2.8	142	12/95 10/97
A6 (4A2, C4)	2.8 quattro	128	06/94 10/97
A6 (4A2, C4)	2.8 quattro	142	12/95 10/97
A6 Avant (4A5, C4)	1.8	92	12/95 12/97
A6 Avant (4A5, C4)	1.8 quattro	92	12/95 12/97
A6 Avant (4A5, C4)	1.9 TDI	66	06/94 12/97
A6 Avant (4A5, C4)	2.0	79	06/94 07/95
A6 Avant (4A5, C4)	2.0	74	06/94 12/97
A6 Avant (4A5, C4)	2.0	85	06/94 12/97
A6 Avant (4A5, C4)	2.0 16V	103	06/94 12/97
A6 Avant (4A5, C4)	2.0 16V quattro	103	06/94 12/97
A6 Avant (4A5, C4)	2.3	98	06/94 12/95
A6 Avant (4A5, C4)	2.3 quattro	98	06/94 12/95
A6 Avant (4A5, C4)	2.5 TDI	84	01/95 12/97
A6 Avant (4A5, C4)	2.5 TDI	85	06/94 12/97
A6 Avant (4A5, C4)	2.5 TDI	103	08/94 12/97
A6 Avant (4A5, C4)	2.5 TDI quattro	103	07/95 12/97

A6 Avant (4A5, C4)	2.6	102	06/94 02/97
A6 Avant (4A5, C4)	2.6	110	06/94 12/97
A6 Avant (4A5, C4)	2.6 quattro	110	06/94 12/97
A6 Avant (4A5, C4)	2.8	120	06/94 07/95
A6 Avant (4A5, C4)	2.8	128	06/94 12/97
A6 Avant (4A5, C4)	2.8	142	12/95 12/97
A6 Avant (4A5, C4)	2.8 quattro	128	06/94 12/97
A6 Avant (4A5, C4)	2.8 quattro	142	12/95 12/97

OE-nummer

Kompatibla OE-nummer

AUDI	4A0698151
AUDI	4A0698151A
AUDI	4A0698151C
AUDI	4D0698151H
SEAT	4A0698151
SEAT	4A0698151A
SEAT	4A0698151C
SEAT	4D0698151H
SKODA	4A0698151
SKODA	4A0698151A
SKODA	4A0698151C
SKODA	4D0698151H
VW	4A0698151
VW	4A0698151A
VW	4A0698151C
VW	4D0698151H