

Tekniska data för bromsbelägg

Axel
Fram

WVA
21866, 21868

Bredd
141,6 mm

Tjocklek
19,7 mm

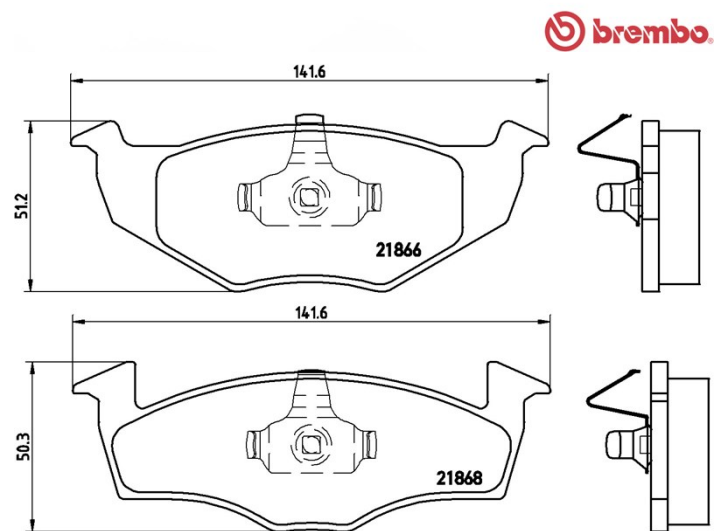
Höjd
50,3 - 51,2 mm

Bromssystem
VWII

Funktioner

Slitageindikator
Utan

EAN-kod
8020584058336



Kompatibla fordon

SEAT				
Modell	Typ	kW	År	
133	0.8	25	05/74 11/79	
CORDOBA (6K1, 6K2)	1.0 i	37	09/96 10/02	
CORDOBA (6K1, 6K2)	1.4	40	12/97 04/99	
CORDOBA (6K1, 6K2)	1.4 i	44	06/94 10/02	
CORDOBA (6K1, 6K2)	1.4 i 16V	74	09/96 10/02	
CORDOBA (6K1, 6K2)	1.6 i	55	02/93 10/02	
CORDOBA (6K1, 6K2)	1.8 i	66	02/93 09/02	
CORDOBA (6K1, 6K2)	1.9 D	47	01/96 08/96	
CORDOBA (6K1, 6K2)	1.9 D	50	02/93 08/96	
CORDOBA (6K1, 6K2)	1.9 SDI	47	08/96 06/99	

CORDOBA (6K1, 6K2)	1.9 TD	55	02/93 08/96
CORDOBA Vario (6K5)	1.4 i	44	09/96 12/02
CORDOBA Vario (6K5)	1.6 i	55	05/97 06/99
CORDOBA Vario (6K5)	1.6 i	55	09/96 12/02
CORDOBA Vario (6K5)	1.9 SDI	47	09/96 06/99
IBIZA II (6K1)	1.0	33	03/93 09/96
IBIZA II (6K1)	1.0 i	37	09/96 02/02
IBIZA II (6K1)	1.3 i	40	03/93 08/99
IBIZA II (6K1)	1.4	40	12/97 04/99
IBIZA II (6K1)	1.4 i	44	09/93 02/02
IBIZA II (6K1)	1.4 i 16V	74	06/97 02/02
IBIZA II (6K1)	1.6 i	55	03/93 02/02
IBIZA II (6K1)	1.8 i	66	03/93 08/99
IBIZA II (6K1)	1.9 D	47	04/93 08/96
IBIZA II (6K1)	1.9 D	50	10/94 08/96
IBIZA II (6K1)	1.9 SDI	47	08/96 08/99
IBIZA II (6K1)	1.9 TD	55	03/93 08/96
TOLEDO I (1L)	1.6 i	55	01/93 03/99
TOLEDO I (1L)	1.6 i	54	05/91 03/99
TOLEDO I (1L)	1.6 i	52	05/91 12/93
TOLEDO I (1L)	1.6 i	74	11/96 03/99
TOLEDO I (1L)	1.8 i	65	05/91 12/96
TOLEDO I (1L)	1.8 i	66	11/93 12/96
TOLEDO I (1L)	1.9 D	50	05/91 03/99
TOLEDO I (1L)	1.9 D	47	12/95 03/99
TOLEDO I (1L)	1.9 TD	55	05/91 03/99
VW			
Modell	Typ	kW	År
GOLF III (1H1)	1.3	40	08/91 07/92
GOLF III (1H1)	1.4	44	10/91 08/97
GOLF III (1H1)	1.4	40	11/91 08/97
GOLF III (1H1)	1.6	55	09/92 08/97

GOLF III (1H1)	1.8	55	11/91 08/97
GOLF III (1H1)	1.8	66	11/91 08/97
GOLF III (1H1)	1.9 D	47	11/91 08/97
GOLF III (1H1)	1.9 SDI	47	07/95 08/97
GOLF III (1H1)	1.9 TD,GTD	55	11/91 08/97
GOLF III Variant (1H5)	1.4	40	07/93 04/99
GOLF III Variant (1H5)	1.4	44	07/93 04/99
POLO CLASSIC (6V2)	1.4	62	05/96 07/02
POLO CLASSIC (6V2)	1.9 SDI	48	06/96 09/01
POLO CLASSIC (6V2)	2.0	85	08/99 09/01
POLO CLASSIC (6V2)	54 1.4	40	01/98 08/99
POLO CLASSIC (6V2)	57 1.7 SDI	42	07/97 09/01
POLO CLASSIC (6V2)	60 1.4	44	12/95 09/01
POLO CLASSIC (6V2)	64 1,9 D	47	01/96 10/96
POLO CLASSIC (6V2)	64 1.9 SDI	47	12/95 08/99
POLO CLASSIC (6V2)	68 1.9 SDI	50	08/99 01/02
POLO CLASSIC (6V2)	75 1.4 16V	55	10/99 09/01
POLO CLASSIC (6V2)	75 1.6	55	11/95 09/01
POLO CLASSIC (6V2)	75 1.6	55	11/95 09/97
POLO Van Box Body / Estate (6V5)	1.4	55	06/00 09/01
POLO Variant (6V5)	1.4	44	05/97 09/01
POLO Variant (6V5)	1.4	40	12/98 09/01
POLO Variant (6V5)	1.4 16V	55	10/99 09/01
POLO Variant (6V5)	1.6	55	05/97 09/01
POLO Variant (6V5)	1.6	74	05/97 09/01
POLO Variant (6V5)	1.7 SDI	42	08/97 09/01
POLO Variant (6V5)	1.8	66	05/97 09/01
POLO Variant (6V5)	1.9 SDI	47	06/97 09/01
POLO Variant (6V5)	1.9 SDI	50	08/99 09/01
POLO Variant (6V5)	1.9 TDI	66	05/97 09/01

POLO Variant (6V5)	1.9 TDI	81	06/98 09/01
VENTO (1H2)	1.4	40	11/91 09/98
VENTO (1H2)	1.4	44	11/91 09/98
VENTO (1H2)	1.6	55	09/92 09/98
VENTO (1H2)	1.8	55	11/91 09/98
VENTO (1H2)	1.9 D	48	11/91 09/98
VENTO (1H2)	1.9 SDI	47	04/97 09/98

OE-nummer

Kompatibla OE-nummer

AUDI	1H0698151A
SEAT	1H0698151A
SKODA	1H0698151A
VW	1H0698151A