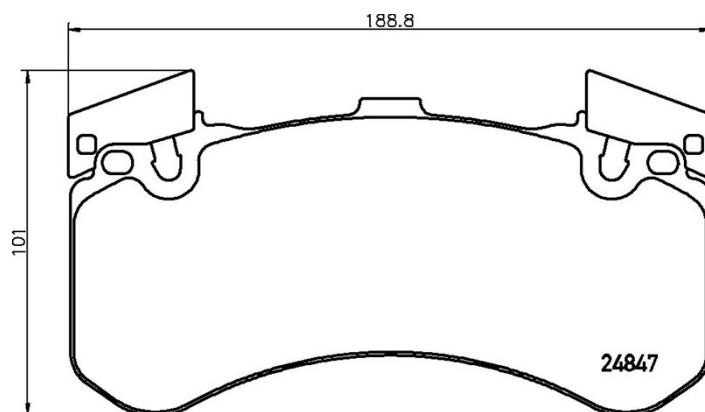


## Tekniska data för bromsbelägg

<b>Axel</b> Fram	<b>WVA</b> 24847
<b>Bredd</b> 188 mm	<b>Tjocklek</b> 17 mm
<b>Höjd</b> 101 mm	<b>Bromssystem</b> Brembo
<b>Funktioner</b> Med motvikter	<b>Slitageindikator</b> Förberedd
<b>EAN-kod</b> 8020584112168	



## Kompatibla fordon

### AUDI

Modell	Typ	kW	År
A6 (4G2, 4GC, C7)	1.8 TFSI	140	09/14 09/18
A6 (4G2, 4GC, C7)	2.0 TDI	110	09/14 09/18
A6 (4G2, 4GC, C7)	2.0 TDI	140	11/13 09/18
A6 (4G2, 4GC, C7)	2.0 TDI quattro	140	04/15 09/18
A6 (4G2, 4GC, C7)	2.0 TFSI	162	05/13 09/18
A6 (4G2, 4GC, C7)	2.0 TFSI	185	09/14 09/18
A6 (4G2, 4GC, C7)	2.0 TFSI quattro	155	05/12 05/13
A6 (4G2, 4GC, C7)	2.0 TFSI quattro	162	05/13 09/18
A6 (4G2, 4GC, C7)	2.0 TFSI quattro	185	05/14 09/18
A6 (4G2, 4GC, C7)	2.0 TFSI quattro	183	05/15 09/18
A6 (4G2, 4GC, C7)	2.8 FSI quattro	162	09/14 09/18
A6 (4G2, 4GC, C7)	3.0 TDI	155	09/14 09/18
A6 (4G2, 4GC, C7)	3.0 TDI	160	09/14 09/18

A6 (4G2, 4GC, C7)	3.0 TDI quattro	155	09/14 09/18
A6 (4G2, 4GC, C7)	3.0 TDI quattro	160	09/14 09/18
A6 (4G2, 4GC, C7)	3.0 TDI quattro	200	09/14 09/18
A6 (4G2, 4GC, C7)	3.0 TDI quattro	235	09/14 09/18
A6 (4G2, 4GC, C7)	3.0 TDI quattro	240	09/14 09/18
A6 (4G2, 4GC, C7)	3.0 TFSI quattro	245	09/14 09/18
A6 (4G2, 4GC, C7)	S6 quattro	309	02/12 09/18
A6 (4G2, 4GC, C7)	S6 quattro	331	10/14 09/18
A6 Avant (4G5, 4GD, C7)	1.8 TFSI	140	09/14 09/18
A6 Avant (4G5, 4GD, C7)	2.0 TDI	110	09/14 09/18
A6 Avant (4G5, 4GD, C7)	2.0 TDI	140	11/13 09/18
A6 Avant (4G5, 4GD, C7)	2.0 TDI quattro	140	04/15 09/18
A6 Avant (4G5, 4GD, C7)	2.0 TFSI	185	09/14 09/18
A6 Avant (4G5, 4GD, C7)	2.0 TFSI quattro	183	05/15 09/18
A6 Avant (4G5, 4GD, C7)	2.0 TFSI quattro	185	05/15 09/18
A6 Avant (4G5, 4GD, C7)	2.8 FSI quattro	162	09/14 09/18
A6 Avant (4G5, 4GD, C7)	3.0 TDI	155	09/14 09/18
A6 Avant (4G5, 4GD, C7)	3.0 TDI	160	09/14 09/18
A6 Avant (4G5, 4GD, C7)	3.0 TDI quattro	155	09/14 09/18
A6 Avant (4G5, 4GD, C7)	3.0 TDI quattro	160	09/14 09/18
A6 Avant (4G5, 4GD, C7)	3.0 TDI quattro	200	09/14 09/18
A6 Avant (4G5, 4GD, C7)	3.0 TDI quattro	235	09/14 09/18
A6 Avant (4G5, 4GD, C7)	3.0 TDI quattro	240	09/14 09/18
A6 Avant (4G5, 4GD, C7)	3.0 TFSI quattro	245	09/14 09/18
A6 Avant (4G5, 4GD, C7)	S6 quattro	309	02/12 09/18
A6 Avant (4G5, 4GD, C7)	S6 quattro	331	10/14 09/18
A7 Sportback (4GA, 4GF)	1.8 TFSI	140	04/15 05/18
A7 Sportback (4GA, 4GF)	2.0 TFSI	185	09/14 05/18
A7 Sportback (4GA, 4GF)	2.0 TFSI quattro	183	05/15 05/18
A7 Sportback (4GA, 4GF)	2.0 TFSI quattro	185	05/15 05/18
A7 Sportback (4GA, 4GF)	2.5 FSI	150	09/12 03/15

A7 Sportback (4GA, 4GF)	2.8 FSI quattro	150	10/10 03/15
A7 Sportback (4GA, 4GF)	3.0 TDI	140	11/15 05/18
A7 Sportback (4GA, 4GF)	3.0 TDI	155	11/15 05/18
A7 Sportback (4GA, 4GF)	3.0 TDI quattro	176	05/13 06/17
A7 Sportback (4GA, 4GF)	3.0 TDI quattro	155	07/14 05/18
A7 Sportback (4GA, 4GF)	3.0 TDI quattro	240	09/14 05/18
A7 Sportback (4GA, 4GF)	3.0 TDI quattro	140	11/15 05/18
A7 Sportback (4GA, 4GF)	3.0 TFSI quattro	245	05/14 05/18
A7 Sportback (4GA, 4GF)	3.0 TFSI quattro	228	01/11 03/15
A7 Sportback (4GA, 4GF)	3.0 TFSI quattro	220	10/10 05/12
A7 Sportback (4GA, 4GF)	RS7 performance quattro	445	11/15 04/18
A7 Sportback (4GA, 4GF)	S7 quattro	309	02/12 03/15
A7 Sportback (4GA, 4GF)	S7 quattro	331	07/14 05/18
A8 (4H2, 4H8, 4HC, 4HL)	2.0 TFSI hybrid	155	02/12 11/15
A8 (4H2, 4H8, 4HC, 4HL)	2.0 TFSI quattro	185	09/16 01/18
A8 (4H2, 4H8, 4HC, 4HL)	2.5 TFSI	150	07/12 06/16
A8 (4H2, 4H8, 4HC, 4HL)	3.0 TDI quattro	193	05/15 01/18
A8 (4H2, 4H8, 4HC, 4HL)	3.0 TFSI quattro	245	06/10 01/18
A8 (4H2, 4H8, 4HC, 4HL)	3.0 TFSI quattro	213	07/10 04/14
A8 (4H2, 4H8, 4HC, 4HL)	4.2 FSI quattro	273	11/09 12/12
A8 (4H2, 4H8, 4HC, 4HL)	6.3 W12 quattro	368	01/11 01/18
A8 (4H2, 4H8, 4HC, 4HL)	S8 plus quattro	445	11/15 01/18
A8 (4H2, 4H8, 4HC, 4HL)	S8 quattro	382	04/12 01/18
Q5 (8RB)	SQ5 TFSI quattro	260	05/13 -

## AUDI (FAW)

Modell	Typ	kW	År
A6L (C7, 4X8, 4XL)	35 TFSI	165	08/17 12/18

## BENTLEY

Modell	Typ	kW	År
MULSANNE (3Y_)	6.8	377	09/09 -

## OE-nummer

Kompatibla OE-nummer

AUDI	4G0698151AB
AUDI	4G0698151F
AUDI	4H0698151F
AUDI	4H0698151J
AUDI	4H0698151Q
BENTLEY	3Y0698151
SEAT	4G0698151AB
SEAT	4G0698151F
SEAT	4H0698151F
SEAT	4H0698151J
SEAT	4H0698151Q
SKODA	4G0698151AB
SKODA	4G0698151F
SKODA	4H0698151F
SKODA	4H0698151J
SKODA	4H0698151Q
VW	4G0698151AB
VW	4G0698151F
VW	4H0698151F
VW	4H0698151J
VW	4H0698151Q