



BRAKE DISC PAINTED

08.5625.21

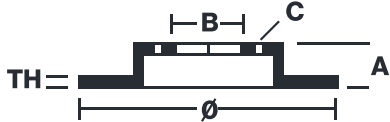
The **08.5625.21** painted brake disc is synonymous with reliability

The Brembo brake disc with special UV paint treatment guarantees superior corrosion resistance for the product, thanks to the protective coating on the outer edges and on the disc hub. The UV paint not only gives the disc a clean, shiny appearance but is also beneficial for the environment as the water-based UV paint treatment does not require the use of chemical solvents and is a low energy consumption process.

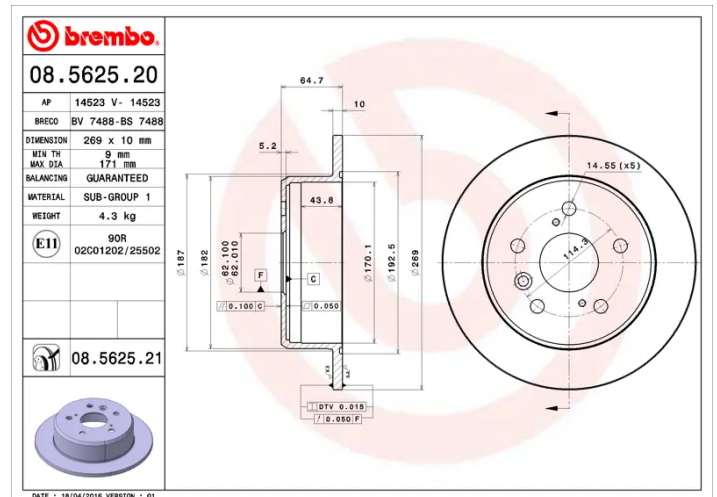
- ✓ OE-equivalent
- ✓ Brembo quality
- ✓ ECE-R90 certificate
- ✓ Safety
- ✓ Anti-corrosion



Technical specifications



| | | |
|------------------------------------|-------------------------------|---------------------------------|
| EAN code 8020584215821 | Axle Rear | Diameter Ø 269 mm |
| Thickness (TH) 10 mm | Height (A) 65 mm | Number of holes (C) 5 |
| Brake disc type Solid | Centering (B) 62 mm | Min. thickness 9 mm |
| Tightening torque 103 Nm | | |



COMPATIBLE VEHICLES

COMPATIBLE OE PART NUMBERS

4243106020 LEXUS

4243133010 LEXUS

4243133040 LEXUS

4243133060 LEXUS

4243106020 TOYOTA

4243132050 TOYOTA

4243133010 TOYOTA

4243133040 TOYOTA

4243133060 TOYOTA

4243133090 TOYOTA
