



BRAKE DISC MAX

09.6879.76

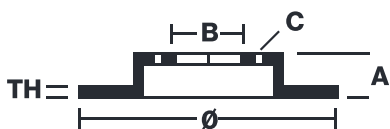
The 09.6879.76 Max brake disc is synonymous with reliability

The Brembo Max brake disc features grooves on the braking surface. The special shape of the grooves generates greater fading resistance and constant renewal of friction material, quickly restoring optimum braking conditions. The UV paint completes the sporty look.

- ✓ Brembo quality
- ✓ ECE-R90 certificate
- ✓ Performance
- ✓ Sports driving
- ✓ Sporty look
- ✓ Anti-corrosion



Technical specifications



EAN code
8020584013564

Axle
Front

Diameter Ø
260 mm

Thickness (TH)
24 mm

Height (A)
53 mm

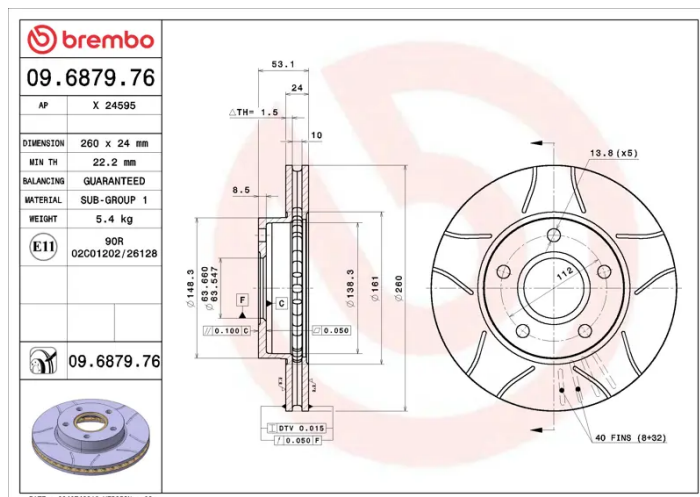
Number of holes (C)
5

Brake disc type
Ventilated

Centering (B)
64 mm

Min. thickness
22,2 mm

Tightening torque
100 Nm



COMPATIBLE VEHICLES

COMPATIBLE OE PART NUMBERS

5022668 FORD

5023441 FORD

5023444 FORD

5027462 FORD

5027463 FORD

6133552 FORD

6158214 FORD

6168109 FORD

6193694 FORD

6450826 FORD

93GX1125AA FORD

93GX1125BA FORD
