



BRAKE DISC PAINTED

09.7376.11

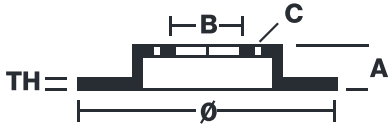
The 09.7376.11 painted brake disc is synonymous with reliability

The Brembo brake disc with special UV paint treatment guarantees superior corrosion resistance for the product, thanks to the protective coating on the outer edges and on the disc hub. The UV paint not only gives the disc a clean, shiny appearance but is also beneficial for the environment as the water-based UV paint treatment does not require the use of chemical solvents and is a low energy consumption process.

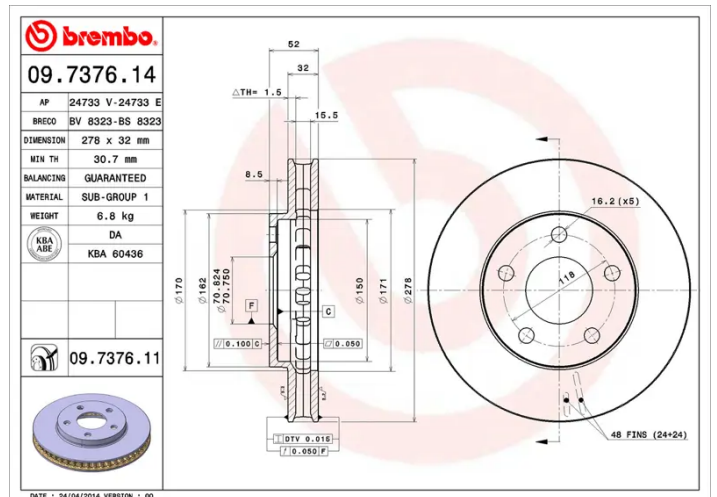
- ✓ OE-equivalent
- ✓ Brembo quality
- ✓ ECE-R90 certificate
- ✓ Safety
- ✓ Anti-corrosion



Technical specifications



EAN code	Axle	Diameter Ø
8020584031698	Front	278 mm
Thickness (TH)	Height (A)	Number of holes (C)
32 mm	52 mm	5
Brake disc type	Centering (B)	Min. thickness
Ventilated	71 mm	30,7 mm



COMPATIBLE VEHICLES

COMPATIBLE OE PART NUMBERS

18021359	BUICK
18060233	BUICK
18021359	CHEVROLET
18060233	CHEVROLET
19303831	CHEVROLET
18038816	GMC
18021359	OLDSMOBILE
18060233	OLDSMOBILE
569019	OPEL
569057	OPEL
90542181	OPEL
9195293	OPEL
18021359	PONTIAC
18060233	PONTIAC
19303831	PONTIAC
569057	VAUXHALL
90542181	VAUXHALL
9195293	VAUXHALL