



BRAKE DISC PAINTED

09.8953.11

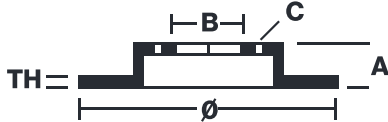
The 09.8953.11 painted brake disc is synonymous with reliability

The Brembo brake disc with special UV paint treatment guarantees superior corrosion resistance for the product, thanks to the protective coating on the outer edges and on the disc hub. The UV paint not only gives the disc a clean, shiny appearance but is also beneficial for the environment as the water-based UV paint treatment does not require the use of chemical solvents and is a low energy consumption process.

- ✓ OE-equivalent
- ✓ Brembo quality
- ✓ ECE-R90 certificate
- ✓ Safety
- ✓ Anti-corrosion

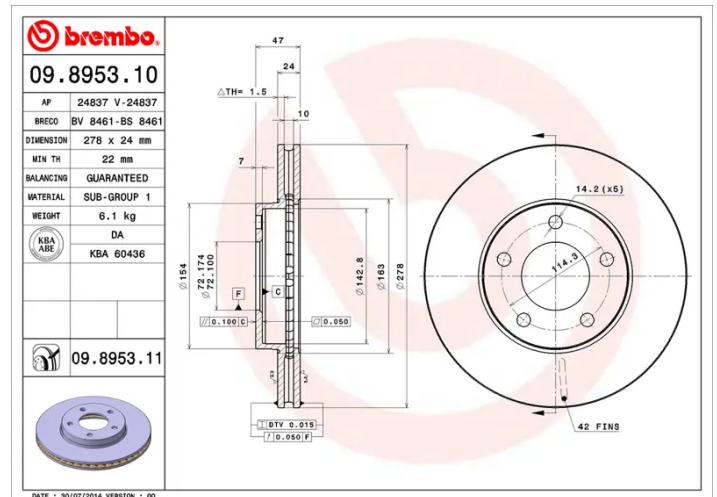


Technical specifications



EAN code	Axle	Diameter Ø
8020584034668	Front	278 mm
Thickness (TH)	Height (A)	Number of holes (C)
24 mm	47 mm	5
Brake disc type	Centering (B)	Min. thickness
Ventilated	72 mm	22 mm

Tightening torque
133 Nm



COMPATIBLE VEHICLES

COMPATIBLE OE PART NUMBERS

1L841032AA FORD

3L841032CA FORD

4096352 FORD

4360107 FORD

4454777 FORD

4564296 FORD

4668068 FORD

4L841032AA FORD

5L841032BA FORD

YL841032BB FORD

3L8Z1125CA FORD USA

5L8Z1125BA FORD USA

E1123325X FORD USA

YL8Z1125BA FORD USA

E1003325XA MAZDA

E1123325X MAZDA

EC023325X MAZDA

EC023325XA MAZDA

EF9Y3325X MAZDA
