



# BRAKE PAD PRIME CERAMIC P06041N

The P06041N NAO brake pad is  
synonymous with reliability

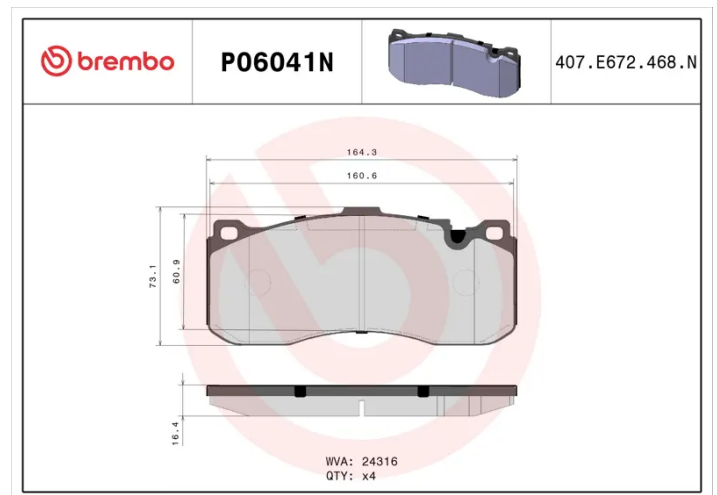
Brembo NAO brake pads stand out for their ultimate braking comfort, reduced friction wear and low dust mission, which makes for cleaner rims and reduced maintenance requirements. The advanced friction material in keeping with the strictest environmental standards is the main distinguishing feature of NAO compounds.

- ✓ OE-equivalent
- ✓ Brembo quality
- ✓ Safety
- ✓ Comfort
- ✓ Durability
- ✓ Dust reduction
- ✓ With accessories



## Technical specifications

|  |                            |   |
|--|----------------------------|---|
| EAN code<br><b>8020584109953</b>                     | Axle<br><b>Front</b>       | Thickness<br><b>16 mm</b>                   |
| Width<br><b>164 mm</b>                               | Height<br><b>74 mm</b>     | Braking system<br><b>Brembo</b>             |
| Wear indicator<br><b>Prepared for wear indicator</b> | WVA number<br><b>24316</b> | Accessories<br><b>With anti-squeal shim</b> |



COMPATIBLE VEHICLES

## COMPATIBLE OE PART NUMBERS

34116784807 BMW

---

34116786044 BMW

---

34116797860 BMW

---

34106860642 MINI

---

6860642 MINI

---