



BRAKE PAD PRIME CERAMIC P11022N

The P11022N NAO brake pad is synonymous with reliability

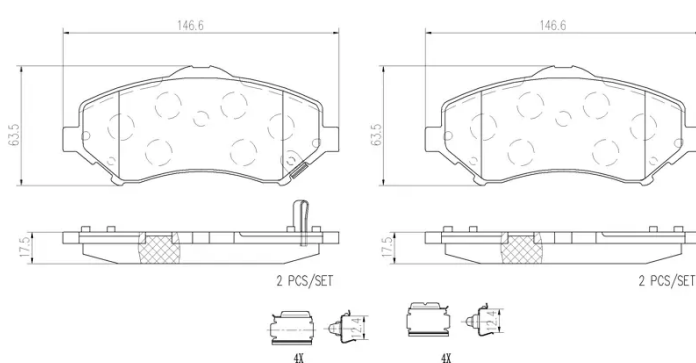
Brembo NAO brake pads stand out for their ultimate braking comfort, reduced friction wear and low dust mission, which makes for cleaner rims and reduced maintenance requirements. The advanced friction material in keeping with the strictest environmental standards is the main distinguishing feature of NAO compounds.

- ✓ OE-equivalent
- ✓ Brembo quality
- ✓ Safety
- ✓ Comfort
- ✓ Durability
- ✓ Dust reduction
- ✓ With accessories



Technical specifications

EAN code 8020584096598	Axle Front	Thickness 18 mm
Width 147 mm	Height 64 mm	Braking system Bosch
Wear indicator Acoustic	WVA number 24604,24605	Accessories With anti-squeal shim



COMPATIBLE VEHICLES

COMPATIBLE OE PART NUMBERS

7B0698151A AUDI

7B0698151C AUDI

7B0698151D AUDI

7B0698151F AUDI

068003701AB CHRYSLER

68003701AB CHRYSLER

K68029264AB CHRYSLER

K68053152AA CHRYSLER

2AMV3762AB DODGE

68029264AA DODGE

68029264AB DODGE

V1013152AB DODGE

V1013701AA DODGE

V1013701AB DODGE

K68029264AA FIAT

2AMV3701AA JEEP

2AMV3762AC JEEP

68003701AA JEEP

68003701AC JEEP

68003701AD JEEP

K68003701AA JEEP

KV1013701AA JEEP

LC003701AB JEEP

V1013701AA JEEP

7B0698151A SEAT

7B0698151C SEAT

7B0698151D SEAT

7B0698151F SEAT

7B0698151A SKODA

7B0698151C SKODA

7B0698151D SKODA

7B0698151F SKODA

7B0698151A VW

7B0698151C VW

7B0698151D VW

7B0698151F VW