



# BRAKE PAD PRIME CERAMIC P11035N

The P11035N NAO brake pad is  
synonymous with reliability


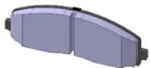
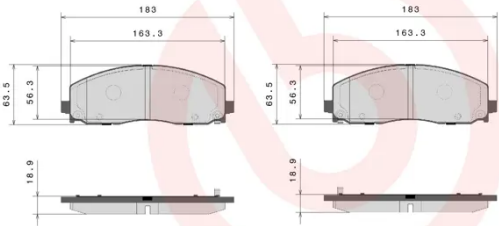
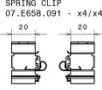
Brembo NAO brake pads stand out for their ultimate braking comfort, reduced friction wear and low dust mission, which makes for cleaner rims and reduced maintenance requirements. The advanced friction material in keeping with the strictest environmental standards is the main distinguishing feature of NAO compounds.

- ✓ OE-equivalent
- ✓ Brembo quality
- ✓ Safety
- ✓ Comfort
- ✓ Durability
- ✓ Dust reduction
- ✓ With accessories



## Technical specifications

EAN code <b>8020584081099</b>	Axle <b>Front</b>	Thickness <b>19 mm</b>
Width <b>183 mm</b>	Height <b>64 mm</b>	Braking system <b>Akebono</b>
Wear indicator <b>Acoustic</b>	WVA number <b>25378,25379</b>	Accessories <b>With anti-squeal shim</b>

	<b>P11035N</b>		407.E672.837.N
			
<b>WVA: 25378</b> <b>QTY: x2</b>		<b>WVA: 25379</b> <b>QTY: x2</b>	
<small>DATE : 01/12/2023 VERSION : 00</small>			

COMPATIBLE VEHICLES

## COMPATIBLE OE PART NUMBERS

7B0698151E AUDI

7B0698151G AUDI

7B0698151H AUDI

7B0698151J AUDI

7B0698151K AUDI

7B0698151L AUDI

068144163AA CHRYSLER

068144163AB CHRYSLER

068144163AC CHRYSLER

068144163AD CHRYSLER

068144163AE CHRYSLER

068159579AA CHRYSLER

068159579AB CHRYSLER

068159579AC CHRYSLER

068317914AA CHRYSLER

2AMV3163AA CHRYSLER

68144163AA CHRYSLER

68144163AB CHRYSLER

68144163AC CHRYSLER

68144163AD CHRYSLER

68144163AE CHRYSLER

68159579AA CHRYSLER

68159579AB CHRYSLER

68159579AC CHRYSLER

68260870AB CHRYSLER

68317914AA CHRYSLER

68317914AB CHRYSLER

68317914AC CHRYSLER

68526732AA CHRYSLER

68526734AA CHRYSLER

K68260870AB CHRYSLER

K68317914AA CHRYSLER

68144163AE DODGE

68144163AF DODGE

68260870AA DODGE

68260870AB DODGE

K68260870AB DODGE

V1013152AA DODGE

V1014163AD DODGE

V1018762AA DODGE

V1018762AB DODGE

V1018762AC DODGE

00K68509193AA FIAT

68260870AC FIAT

68409860AA FIAT

K68144163AF	FIAT
K68159579AA	FIAT
K68159579AB	FIAT
K68159579AC	FIAT
K68258389AA	FIAT
K68260870AA	FIAT
K68260870AC	FIAT
K68260870AD	FIAT
K68409860AA	FIAT
K68509193AA	FIAT
68383243AA	JEEP
68383243AB	JEEP
68409860AA	JEEP
68409860AB	JEEP
68409860AC	JEEP
68456066AA	JEEP
68456066AB	JEEP
K68383243AA	JEEP
K68456066AA	JEEP
00K68144163AB	LANCIA
00K68144163AC	LANCIA
00K68144163AD	LANCIA
00K68144163AE	LANCIA
00K68144163AF	LANCIA
68260870AC	LANCIA
K68144163AA	LANCIA
K68144163AB	LANCIA
K68144163AC	LANCIA
K68144163AD	LANCIA
K68144163AE	LANCIA
K68144163AF	LANCIA
K68260870AC	LANCIA
K68260870AD	LANCIA
K68509193AA	LANCIA
K68509193AB	LANCIA
68260870AA	RAM
68260870AB	RAM
K68260870AA	RAM
K68260870AB	RAM
7B0698151E	SEAT
7B0698151G	SEAT
7B0698151H	SEAT
7B0698151J	SEAT
7B0698151K	SEAT
7B0698151L	SEAT
7B0698151E	SKODA
7B0698151G	SKODA
7B0698151H	SKODA

7B0698151J	SKODA
7B0698151K	SKODA
7B0698151L	SKODA
7B0698151E	VW
7B0698151G	VW
7B0698151H	VW
7B0698151J	VW