



BRAKE PAD PRIME CERAMIC P24175N

The P24175N NAO brake pad is synonymous with reliability

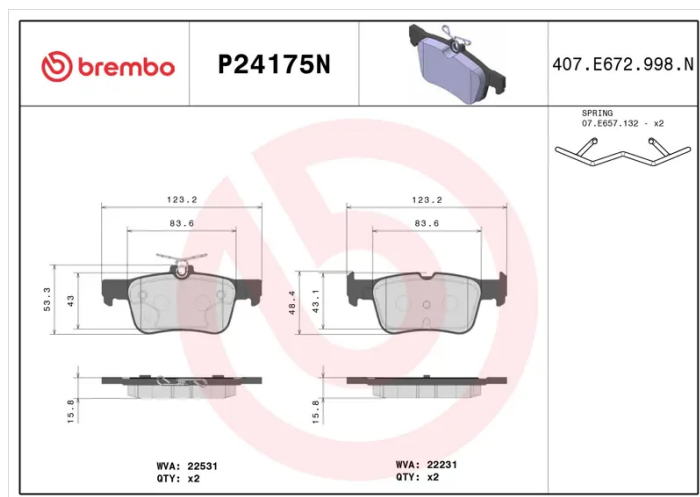
Brembo NAO brake pads stand out for their ultimate braking comfort, reduced friction wear and low dust mission, which makes for cleaner rims and reduced maintenance requirements. The advanced friction material in keeping with the strictest environmental standards is the main distinguishing feature of NAO compounds.

- ✓ OE-equivalent
- ✓ Brembo quality
- ✓ Safety
- ✓ Comfort
- ✓ Durability
- ✓ Dust reduction
- ✓ With accessories



Technical specifications

| | | |
|----------------------------------|----------------------------------|--|
| EAN code 8020584081617 | Axle Rear | Thickness 16 mm |
| Width 123 mm | Height 48 mm | Braking system Teves |
| Wear indicator Without | WVA number 22231,22531 | Accessories With accessories With anti-squeal shim |



COMPATIBLE VEHICLES

COMPATIBLE OE PART NUMBERS

| | |
|----------------|----------------|
| 2018449 | FORD |
| 2110582 | FORD |
| 2211284 | FORD |
| 2454300 | FORD |
| 2465422 | FORD |
| 5302023 | FORD |
| 5341206 | FORD |
| BRF1579 | FORD |
| BRF35 | FORD |
| DF9Z2200F | FORD |
| DF9Z2200Z | FORD |
| DG9C2M0007AB | FORD |
| DG9C2M007AB | FORD |
| DG9C2M007CB | FORD |
| DG9C2M007GA | FORD |
| DG9Z2200A | FORD |
| DG9Z2200D | FORD |
| DG9Z2200E | FORD |
| DG9Z2200J | FORD |
| DG9Z2200M | FORD |
| DG9Z2200R | FORD |
| K2GZ2200A | FORD |
| KTJ1GC2M007AA | FORD |
| KTJ1GC2M007AB | FORD |
| MEDG9J2M007HA | FORD |
| MEK1GJ2M008AA | FORD |
| 5181857 | FORD (CHANGAN) |
| DG9C2M007AA | FORD (CHANGAN) |
| DG9C2M007AB | FORD (CHANGAN) |
| DG9C2M007AC | FORD (CHANGAN) |
| DG9C2M007CC | FORD (CHANGAN) |
| DG9Z2200S | FORD (CHANGAN) |
| G2MJ2C453CEA | FORD (CHANGAN) |
| G2MJ2C453CEB | FORD (CHANGAN) |
| G2MZ2V200R | FORD (CHANGAN) |
| JX6Z2200B | FORD (CHANGAN) |
| KTLX612M007ACA | FORD (CHANGAN) |
| KTLX612M007ACB | FORD (CHANGAN) |
| LX6Z2200C | FORD (CHANGAN) |
| 5302023 | FORD USA |
| BRF30 | FORD USA |
| BRF35 | FORD USA |
| DG9C2M007CB | FORD USA |
| DG9Z2200A | FORD USA |
| DG9Z2200C | FORD USA |

| | |
|------------|---------------|
| DG9Z2200F | FORD USA |
| BR1665 | LINCOLN |
| BRF1455 | LINCOLN |
| BRF1474 | LINCOLN |
| DG9Z2200D | LINCOLN |
| FU2Z2V200B | LINCOLN |
| FU2Z2V200D | LINCOLN |
| D40606LS0A | NISSAN (DFAC) |