



BRAKE PAD PRIME CERAMIC P28031N

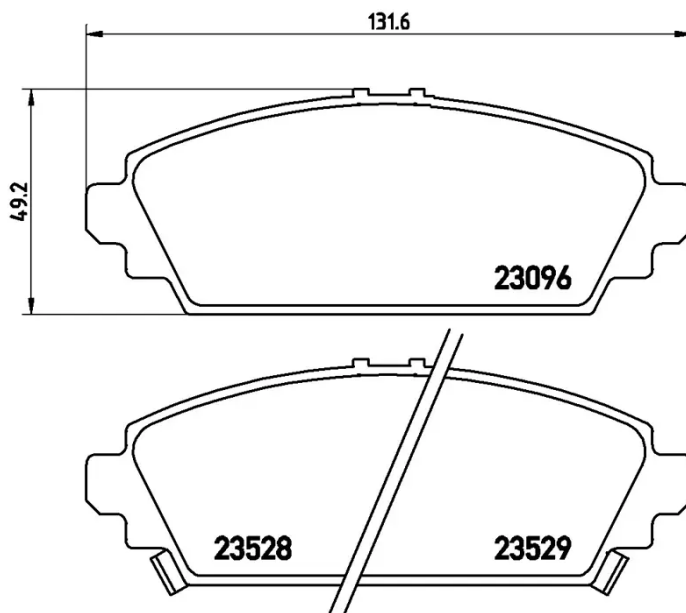
The P28031N NAO brake pad is synonymous with reliability

Brembo NAO brake pads stand out for their ultimate braking comfort, reduced friction wear and low dust mission, which makes for cleaner rims and reduced maintenance requirements. The advanced friction material in keeping with the strictest environmental standards is the main distinguishing feature of NAO compounds.

- ✓ OE-equivalent
- ✓ Brembo quality
- ✓ Safety
- ✓ Comfort
- ✓ Durability
- ✓ Dust reduction
- ✓ With accessories

Technical specifications

EAN code	Axle	Thickness
8020584113615	Front	17 mm
Width	Height	Braking system
132 mm	49 mm	Girling
Wear indicator	WVA number	Accessories
Acoustic	23096,23528,23529	With anti-squeal shim



COMPATIBLE VEHICLES

COMPATIBLE OE PART NUMBERS

45022S1AE61	HONDA
-------------	-------

45022S1AE62	HONDA
-------------	-------

45022S1AE63	HONDA
-------------	-------

45022S1AE80	HONDA
-------------	-------

45022S6F305	HONDA
-------------	-------

45022S6FE01	HONDA
-------------	-------

45022S6FE50	HONDA
-------------	-------