

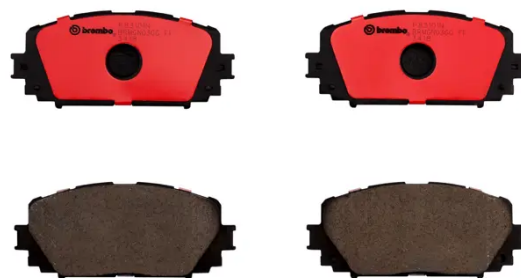


BRAKE PAD PRIME CERAMIC P83101N

The P83101N NAO brake pad is synonymous with reliability

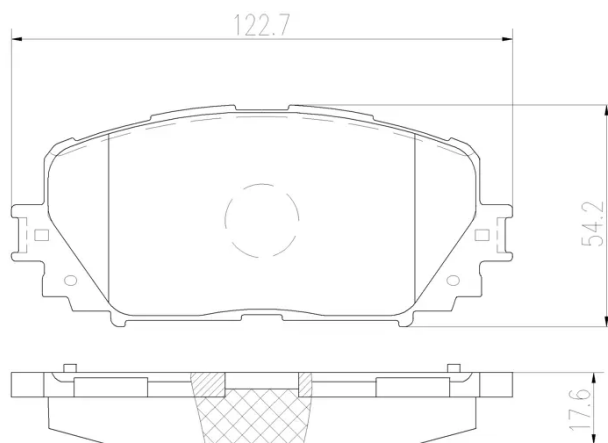
Brembo NAO brake pads stand out for their ultimate braking comfort, reduced friction wear and low dust mission, which makes for cleaner rims and reduced maintenance requirements. The advanced friction material in keeping with the strictest environmental standards is the main distinguishing feature of NAO compounds.

- ✓ OE-equivalent
- ✓ Brembo quality
- ✓ Safety
- ✓ Comfort
- ✓ Durability
- ✓ Dust reduction
- ✓ With accessories



Technical specifications

EAN code	Axle	Thickness
8020584083826	Front	18 mm
Width	Height	Braking system
123 mm	54 mm	Advics
Wear indicator	WVA number	Accessories
Without	24708	With accessories With anti-squeal shim



4 PCS/SET

COMPATIBLE VEHICLES

COMPATIBLE OE PART NUMBERS

04465B1360	DAIHATSU
------------	----------

044650D130	TOYOTA
------------	--------

0446552190	TOYOTA
------------	--------

0446552240	TOYOTA
------------	--------

0446552270	TOYOTA
------------	--------

0446552300	TOYOTA
------------	--------

0446552310	TOYOTA
------------	--------

0446552340	TOYOTA
------------	--------

04465B1360	TOYOTA
------------	--------

04465WY010	TOYOTA
------------	--------