



BRAKE PAD PRIME CERAMIC PA6017N

The PA6017N NAO brake pad is synonymous with reliability

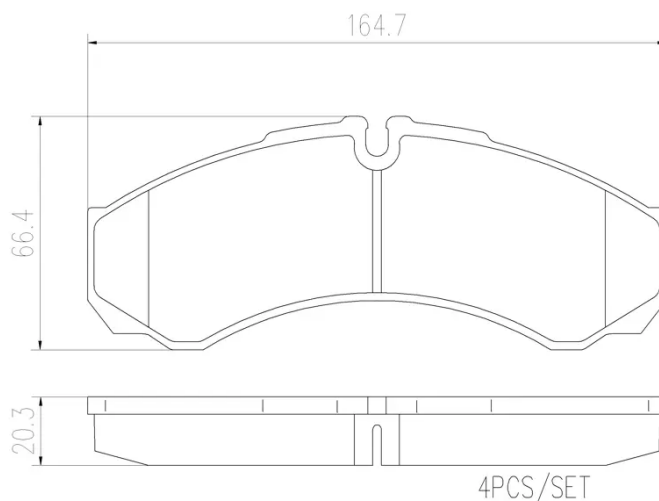
Brembo NAO brake pads stand out for their ultimate braking comfort, reduced friction wear and low dust mission, which makes for cleaner rims and reduced maintenance requirements. The advanced friction material in keeping with the strictest environmental standards is the main distinguishing feature of NAO compounds.

- ✓ OE-equivalent
- ✓ Brembo quality
- ✓ Safety
- ✓ Comfort
- ✓ Durability
- ✓ Dust reduction
- ✓ With accessories



Technical specifications

EAN code	Axle	Thickness
8020584068229	Front and rear	20 mm
Width	Height	Braking system
165 mm	66 mm	Brembo
Wear indicator	WVA number	Accessories
Prepared for wear indicator	29121	With anti-squeal shim



COMPATIBLE VEHICLES

COMPATIBLE OE PART NUMBERS

2996535	IRISBUS
0000002995633	IVECO
0000001906401	IVECO
0000002996465	IVECO
1906401	IVECO
2992339	IVECO
2995633	IVECO
2995693	IVECO
2996465	IVECO
2996535	IVECO
42470846	IVECO
42535791	IVECO
42548194	IVECO
500055565	IVECO
503643886	IVECO
504093780	IVECO
504329186	IVECO
425481	PEUGEOT (DF-PSA)