



BRAKE PAD

P 07 002

The P 07 002 brake pad is synonymous with reliability

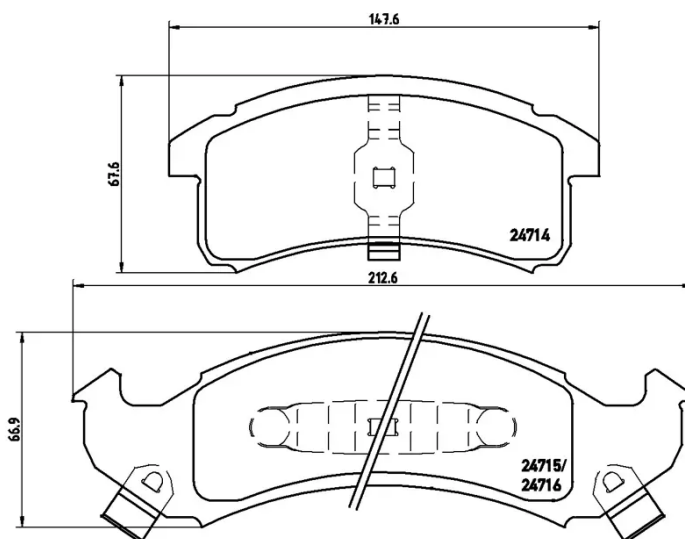
The Brembo brake pad guarantees ultimate safety when braking thanks to the use of more than 100 different compounds, designed according to the type of vehicle and use. Stopping distances reduced to a minimum, maximum driving comfort and silent operation are the most important features of Brembo materials. Brembo brake pads are supplied together with an extensive range of accessories and assembly kits for professional-standard installation.

- ✓ OE-equivalent
- ✓ Brembo quality
- ✓ ECE-R90 certificate
- ✓ Safety
- ✓ Performance
- ✓ Comfort



Technical specifications

EAN code 8020584090343	Axle Front	Thickness 16 mm
Width 148 mm	Height 68 mm	Braking system Delco Moraine
Wear indicator Acoustic	WVA number 24714,24715,24716	Accessories With anti-squeal shim



COMPATIBLE VEHICLES

COMPATIBLE OE PART NUMBERS

12510023 BUICK

12510042 BUICK

18018354 BUICK

18019524 BUICK

18024915 BUICK

18024916 BUICK

12510001 CADILLAC

12370006 CHEVROLET

12510027 CHEVROLET

18022641 OLDSMOBILE

18022641 PONTIAC
