



BRAKE PAD

P 23 023

The P 23 023 brake pad is synonymous with reliability

The Brembo brake pad guarantees ultimate safety when braking thanks to the use of more than 100 different compounds, designed according to the type of vehicle and use. Stopping distances reduced to a minimum, maximum driving comfort and silent operation are the most important features of Brembo materials. Brembo brake pads are supplied together with an extensive range of accessories and assembly kits for professional-standard installation.

- ✓ OE-equivalent
- ✓ Brembo quality
- ✓ ECE-R90 certificate
- ✓ Safety
- ✓ Performance
- ✓ Comfort
- ✓ With accessories



Technical specifications

EAN code
8020584050934

Axle
Front

Thickness
19 mm

Width
145 mm

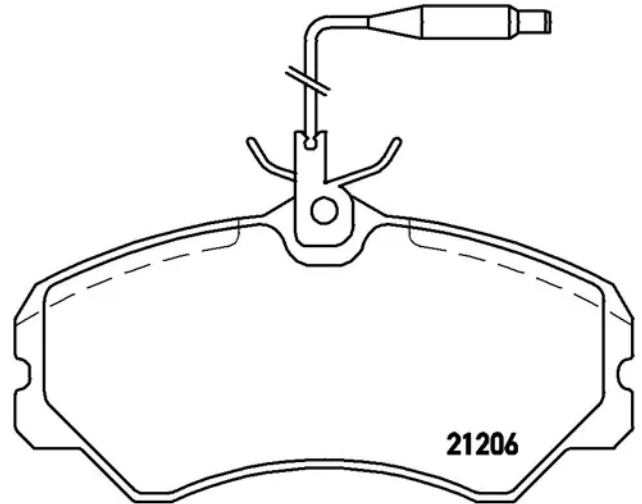
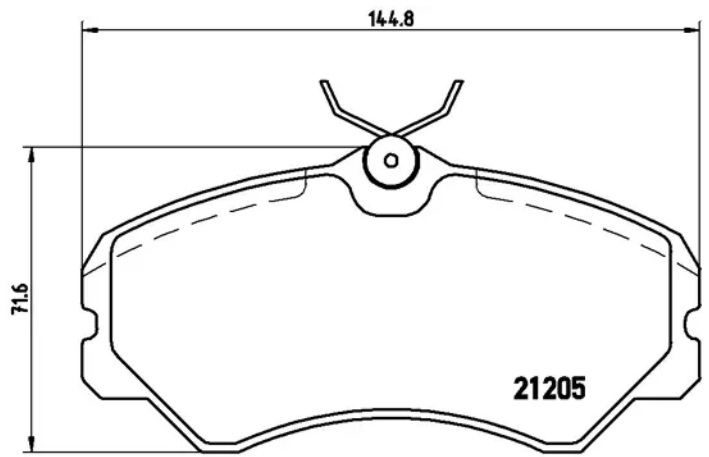
Height
72 mm

Braking system
Lucas

Wear indicator
Electric

WVA number
21205,21206

Accessories
With accessories
With anti-squeal
shim
With brake caliper
bolts



COMPATIBLE VEHICLES

COMPATIBLE OE PART NUMBERS

09938205 CITROËN

425047 CITROËN

425058 CITROËN

425105 CITROËN

4254A5 CITROËN

95623223 CITROËN

95640895 CITROËN

95667765 CITROËN

E172156 CITROËN

71770968 FIAT

09938205 PEUGEOT

425047 PEUGEOT

425058 PEUGEOT

425105 PEUGEOT

4254A5 PEUGEOT

95623223 PEUGEOT

95640895 PEUGEOT

95667765 PEUGEOT

E172156 PEUGEOT
