



BRAKE PAD

P 28 004

The P 28 004 brake pad is synonymous with reliability

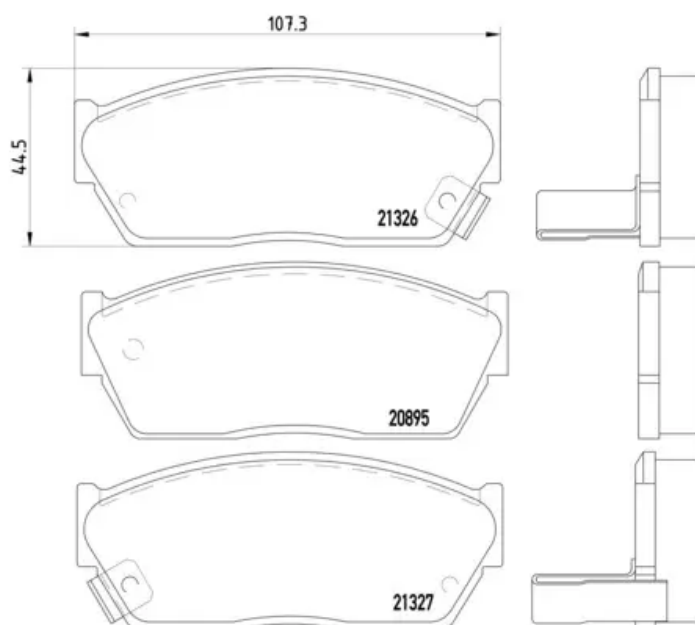
The Brembo brake pad guarantees ultimate safety when braking thanks to the use of more than 100 different compounds, designed according to the type of vehicle and use. Stopping distances reduced to a minimum, maximum driving comfort and silent operation are the most important features of Brembo materials. Brembo brake pads are supplied together with an extensive range of accessories and assembly kits for professional-standard installation.

- ✓ OE-equivalent
- ✓ Brembo quality
- ✓ ECE-R90 certificate
- ✓ Safety
- ✓ Performance
- ✓ Comfort



Technical specifications

EAN code 8020584052389	Axle Front	Thickness 15 mm
Width 107 mm	Height 45 mm	Braking system Sumitomo
Wear indicator Acoustic	WVA number 20895,21326,21327	Accessories With anti-squeal shim



COMPATIBLE OE PART NUMBERS

45022SA0505	HONDA
-------------	-------

45022SA0680	HONDA
-------------	-------

45022SA0681	HONDA
-------------	-------

45022SA0N60	HONDA
-------------	-------

45022SA0N61	HONDA
-------------	-------

45022SA0680	HONDA
-------------	-------
