



BRAKE PAD

P 30 016

The P 30 016 brake pad is synonymous with reliability

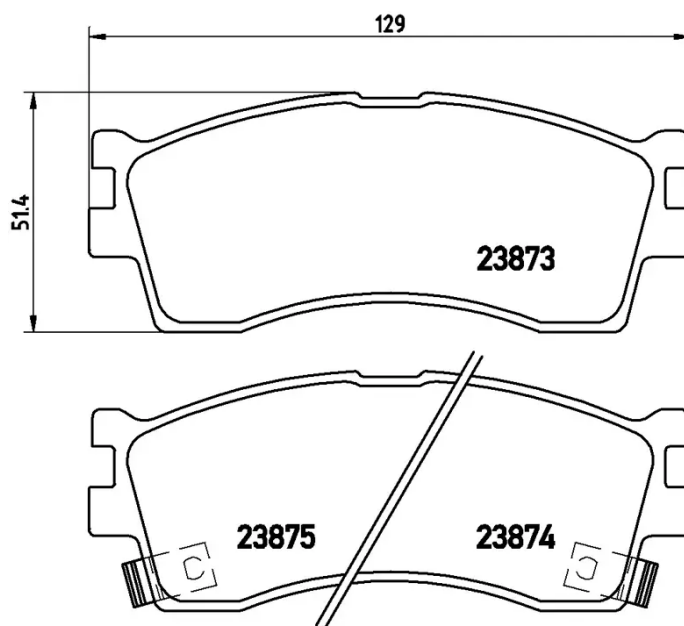
The Brembo brake pad guarantees ultimate safety when braking thanks to the use of more than 100 different compounds, designed according to the type of vehicle and use. Stopping distances reduced to a minimum, maximum driving comfort and silent operation are the most important features of Brembo materials. Brembo brake pads are supplied together with an extensive range of accessories and assembly kits for professional-standard installation.

- ✓ OE-equivalent
- ✓ Brembo quality
- ✓ ECE-R90 certificate
- ✓ Safety
- ✓ Performance
- ✓ Comfort



Technical specifications

EAN code	Axle	Thickness
8020584052860	Front	15 mm
Width	Height	Braking system
129 mm	51 mm	Sumitomo
Wear indicator	WVA number	Accessories
Acoustic	23873,23874,23875	With anti-squeal shim



COMPATIBLE VEHICLES

COMPATIBLE OE PART NUMBERS

0K2N13328Z	KIA
------------	-----

0K2N13328ZA	KIA
-------------	-----

0K9B63328Z	KIA
------------	-----

0K9D03328Z	KIA
------------	-----

58115FDA00	KIA
------------	-----

58115FDB00	KIA
------------	-----

58115FDC00	KIA
------------	-----

OK2N13328Z	KIA
------------	-----

S0K9D03328Z	KIA
-------------	-----