



# BRAKE PAD XTRA

## P 50 091X

The P 50 091X Xtra brake pad is synonymous with reliability

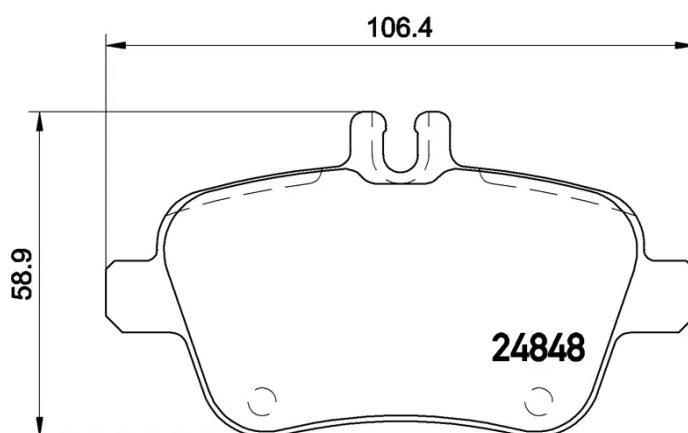
Brembo Xtra brake pads, developed to enhance the advantages of the Xtra and Max discs, are made using the special BRM X L01 compound which consists of more than 30 different components. Compared with the compound used for original-equivalent pads, the new solution assures a higher friction coefficient, which translates to more precise and stable braking, at both high and low temperatures. All this makes for greater driving comfort and improved pedal modularity, without compromising the product's mileage output.



- ✓ OE-equivalent
- ✓ Brembo quality
- ✓ ECE-R90 certificate
- ✓ Safety
- ✓ Performance
- ✓ Sports driving
- ✓ With accessories

### Technical specifications

EAN code <b>8020584068984</b>	Axle <b>Rear</b>	Thickness <b>18 mm</b>
Width <b>106 mm</b>	Height <b>59 mm</b>	Braking system <b>TRW</b>
Wear indicator <b>Prepared for wear indicator</b>	WVA number <b>24848</b>	Accessories <b>With accessories With anti-squeal shim With brake caliper bolts</b>



COMPATIBLE VEHICLES

## COMPATIBLE OE PART NUMBERS

0004200605 MERCEDES-BENZ

---

0004200705 MERCEDES-BENZ

---

0064202320 MERCEDES-BENZ

---

0064207920 MERCEDES-BENZ

---

0074209420 MERCEDES-BENZ

---

A0004200605 MERCEDES-BENZ

---

A0004200705 MERCEDES-BENZ

---

A0064202320 MERCEDES-BENZ

---

A0064207920 MERCEDES-BENZ

---

A0074209420 MERCEDES-BENZ

---